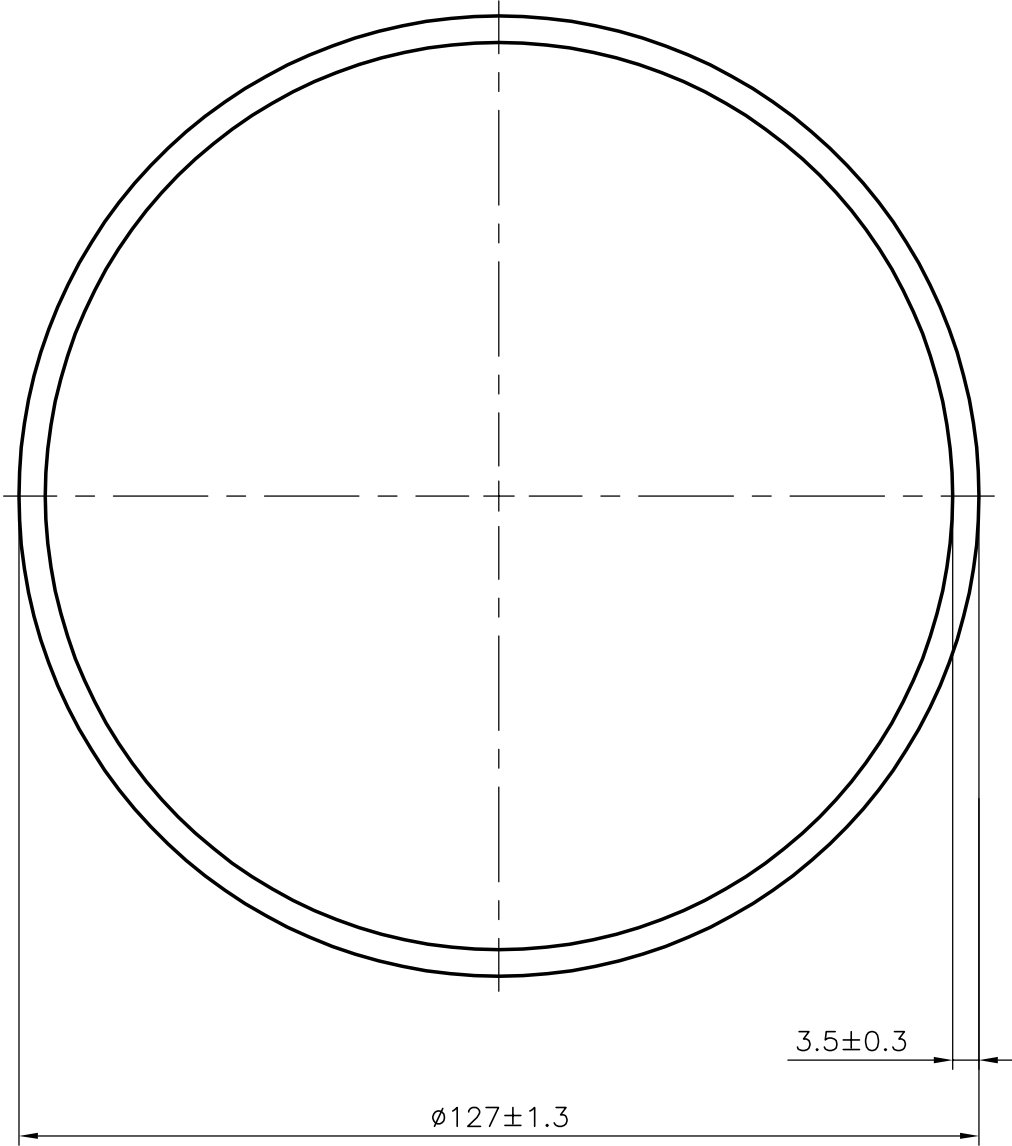



P-3691
 S819
 9824
 13321



 SYMBOL OF QUALITY AN ISO 9002 COMPANY	JINDAL ALUMINIUM LTD. BANGALORE-560073 (INDIA)		NAME	DATE
		DRAWN	RAGHAVENDRA	15-12-01
1. ALL DIMENSIONS ARE IN mm. 2. ROUND OFF ALL SHARP CORNERS WITH 0.40 mm. 3. TOLERANCES WILL BE AS PER IS 2673-1979 UNLESS OTHERWISE SPECIFIED		CHECKED		
		APPROVED		
		SCALE	1:1	
PARTY'S NAME	KADEVI ENGINEERING COMPANY (P) LTD HYDERABAD	WEIGHT kg/m	3.666	
PARTY'S DRAWING No.	AS PER SPECIFICATION	PERIMETER	398.98mm	
ALLOY & TEMPER	6351 T6 (HE30 WP)	SECTION No.	13321	
DESCRIPTION	ROUND TUBE	DRAWING No.	13321	