

P-3801

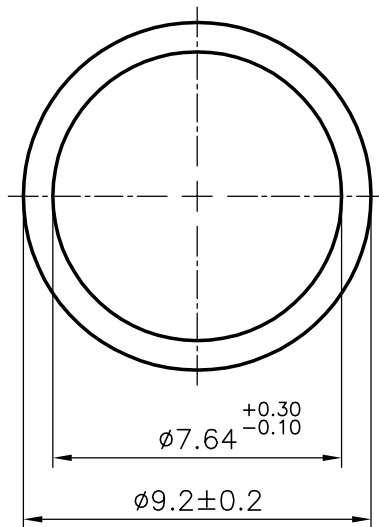
S875

9829

13326



SCALE 1:1



SYMBOL OF QUALITY  
AN ISO 9002 COMPANY

**JINDAL ALUMINIUM LTD.**  
BANGALORE-560073 (INDIA)

	NAME	DATE
DRAWN	RAGHAVENDRA	11-03-02
CHECKED		
APPROVED		
SCALE	5:1 & 1:1	
AREA mm <sup>2</sup>	20.63	
PERIMETER	28.90mm	
WEIGHT kg/m	0.056	
SECTION No.	13326	
DRAWING No.	13326	

1. ALL DIMENSIONS ARE IN mm.
2. ROUND OFF ALL SHARP CORNERS WITH 0.40 mm.
3. TOLERANCES WILL BE AS PER IS 2673-1979 UNLESS OTHERWISE SPECIFIED

PARTY'S NAME G.M. PRECISION PVT.LTD. , DELHI

PARTY'S DRAWING No. AS PER SPECIFICATION

ALLOY & TEMPER E1C 'M'

DESCRIPTION ROUND TUBE