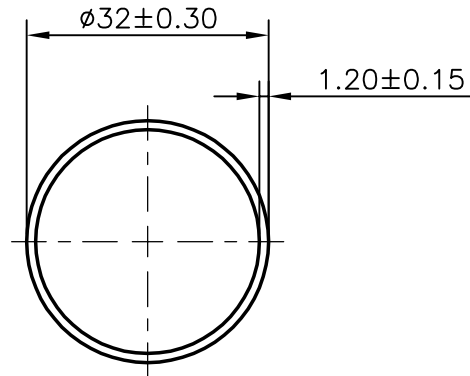



S565

9831

13328



 SYMBOL OF QUALITY AN ISO 9002 COMPANY	JINDAL ALUMINIUM LTD. <i>BANGALORE-560073 (INDIA)</i>		NAME	DATE
		DRAWN	R.D.Sharma	10-08-2000
1. ALL DIMENSIONS ARE IN mm. 2. ROUND OFF ALL SHARP CORNERS WITH 0.40 mm. 3. TOLERANCES WILL BE AS PER IS 2673-1979 UNLESS OTHERWISE SPECIFIED		CHECKED		
		APPROVED		
PARTY'S NAME	MEHTA MACHINERY MANUFACTURERS PVT. LTD., VATVA	SCALE	1:1	
PARTY'S DRAWING No.	AS PER SKETCH	WEIGHT kg/m	0.314	
ALLOY & TEMPER	HE9 WP	SECTION No.	13328	
DESCRIPTION	ROUND TUBE	DRAWING No.	13328	