

P-3717

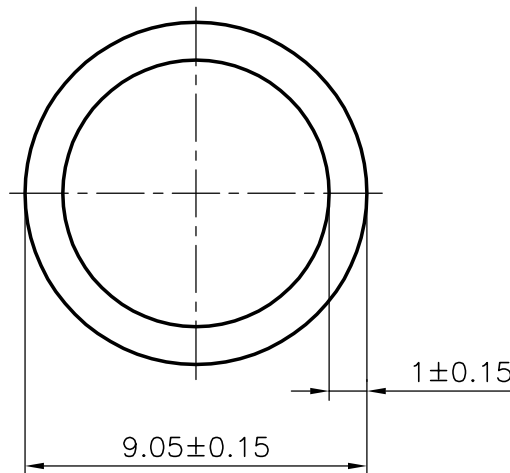
S828

9832

13329



SCALE 1:1



SYMBOL OF QUALITY
AN ISO 9002 COMPANY

JINDAL ALUMINIUM LTD.
BANGALORE-560073 (INDIA)

	NAME	DATE
DRAWN	RAGHAVENDRA	05-01-02
CHECKED		
APPROVED		
SCALE	5:1 & 1:1	
AREA mm ²	25.29	
PERIMETER	28.43mm	
WEIGHT kg/m	0.0628	
SECTION No.	13329	
DRAWING No.	13329	

1. ALL DIMENSIONS ARE IN mm.
2. ROUND OFF ALL SHARP CORNERS WITH 0.40 mm.
3. TOLERANCES WILL BE AS PER IS 2673-1979 UNLESS OTHERWISE SPECIFIED

PARTY'S NAME	HEATRAY ENGINEERING ,. NEW MIMBAI
PARTY'S DRAWING No.	AS PER SPECIFICATION
ALLOY & TEMPER	E1C 'M'
DESCRIPTION	ROUND TUBE