

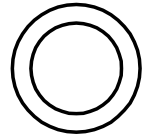
PERIMETER = 53.09mm

P-3394-ISSUE 2

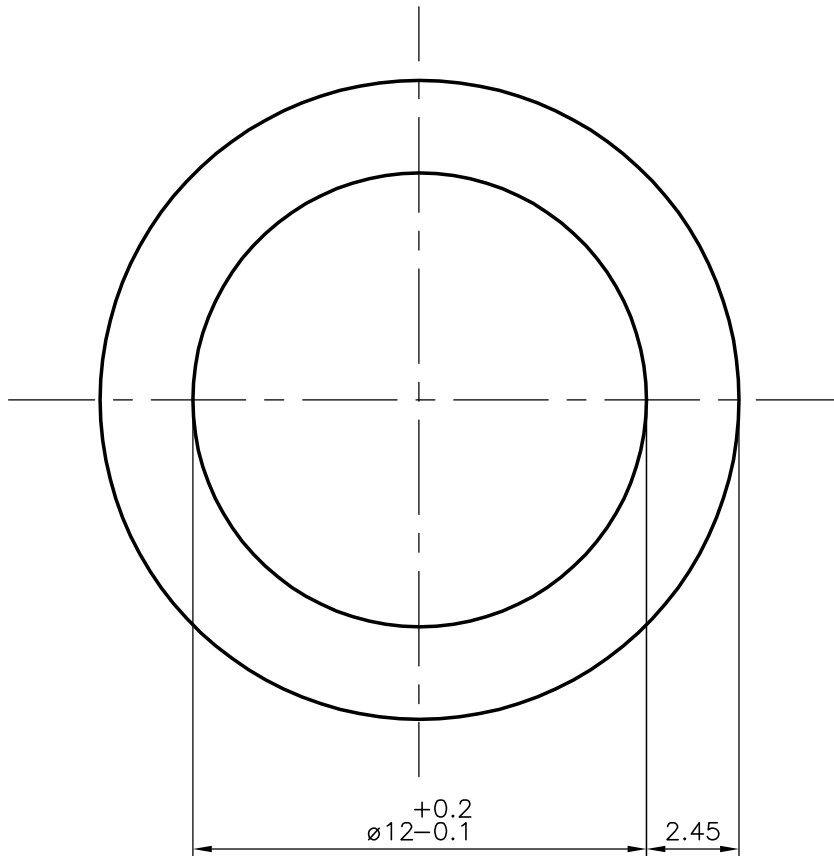
S713-ISSUE 2

9837

13334



SCALE :1:1



SYMBOL OF QUALITY
AN ISO 9002 COMPANY

JINDAL ALUMINIUM LTD.
BANGALORE-560073 (INDIA)

	NAME	DATE
DRAWN	SUDIP ROY	13.07.2001
CHECKED		
APPROVED		
SCALE	5:1 & 1:1	
WEIGHT kg/m	0.300	
SECTION No.	13334	
DRAWING No.	13334	

1. ALL DIMENSIONS ARE IN mm.
2. ROUND OFF ALL SHARP CORNERS WITH 0.40 mm.
3. TOLERANCES WILL BE AS PER IS: 2673-1979 UNLESS OTHERWISE SPECIFIED

PARTY'S NAME	GRIPPERS INC .,MUMBAI
PARTY'S DRAWING No.	AS PER SPECIFICATION
ALLOY & TEMPER	E1E "M"
DESCRIPTION	ROUND TUBE