

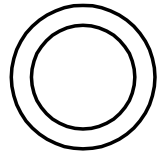
PERIMETER = 59.69mm

P-3395-ISSUE 2

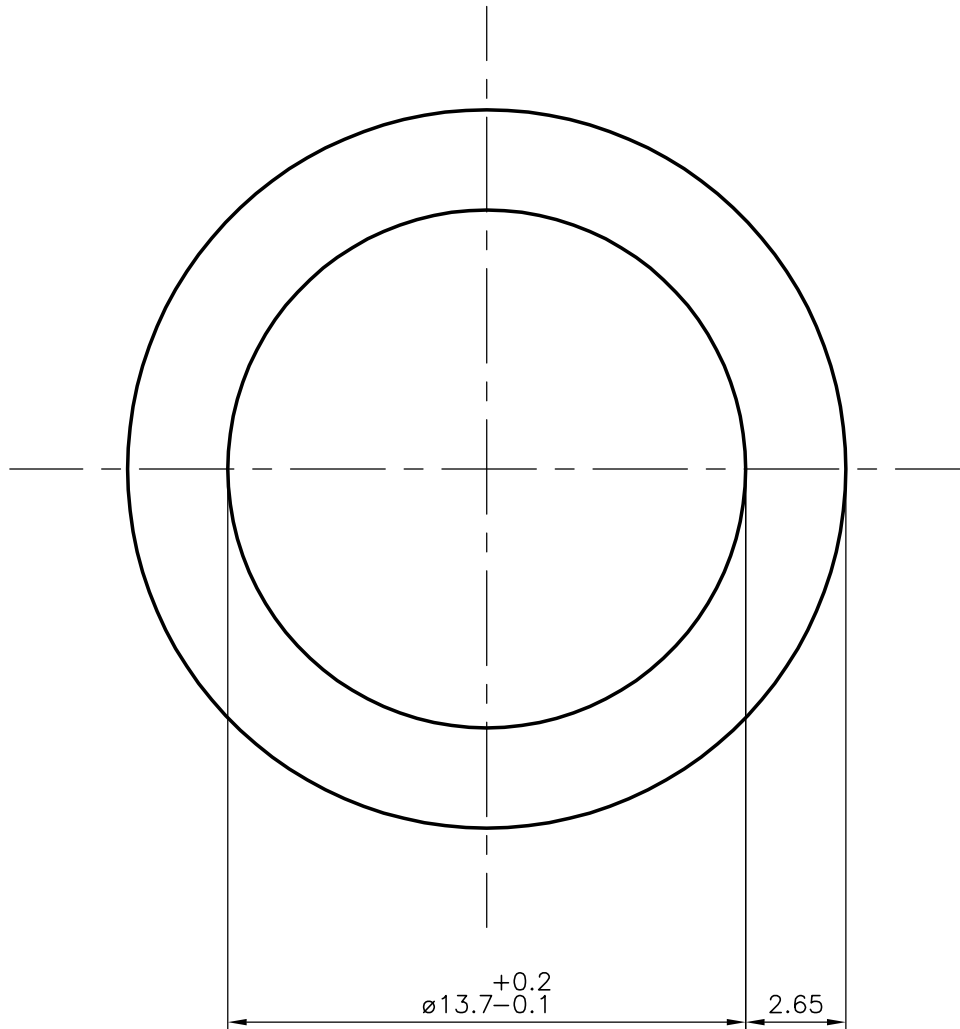
S714-ISSUE 2


9838

13335



SCALE :1:1



|   |  |             |           |            |
|---|--|-------------|-----------|------------|
| <br>SYMBOL OF QUALITY<br>AN ISO 9002 COMPANY                       | <b>JINDAL ALUMINIUM LTD.</b><br>BANGALORE-560073 (INDIA) |             | NAME      | DATE       |
|   |  | DRAWN       | SUDIP ROY | 13.07.2001 |
| 1. ALL DIMENSIONS ARE IN mm.<br>2. ROUND OFF ALL SHARP CORNERS WITH 0.40 mm.<br>3. TOLERANCES WILL BE AS PER IS: 2673-1979 UNLESS OTHERWISE SPECIFIED |  | CHECKED     |           |            |
|   |  | APPROVED    |           |            |
| PARTY'S NAME  | GRIPPERS INC .,MUMBAI                                    | SCALE       | 5:1 & 1:1 |            |
| PARTY'S DRAWING No.   | AS PER SPECIFICATION                                     | WEIGHT kg/m | 0.367     |            |
| ALLOY & TEMPER  | E1E "M"  | SECTION No. | 13335     |            |
| DESCRIPTION   | ROUND TUBE   | DRAWING No. | 13335     |            |