

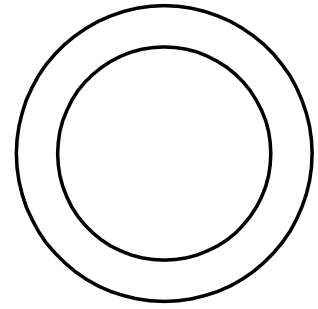
PERIMETER = 122.84mm

P-3400-ISSUE 2

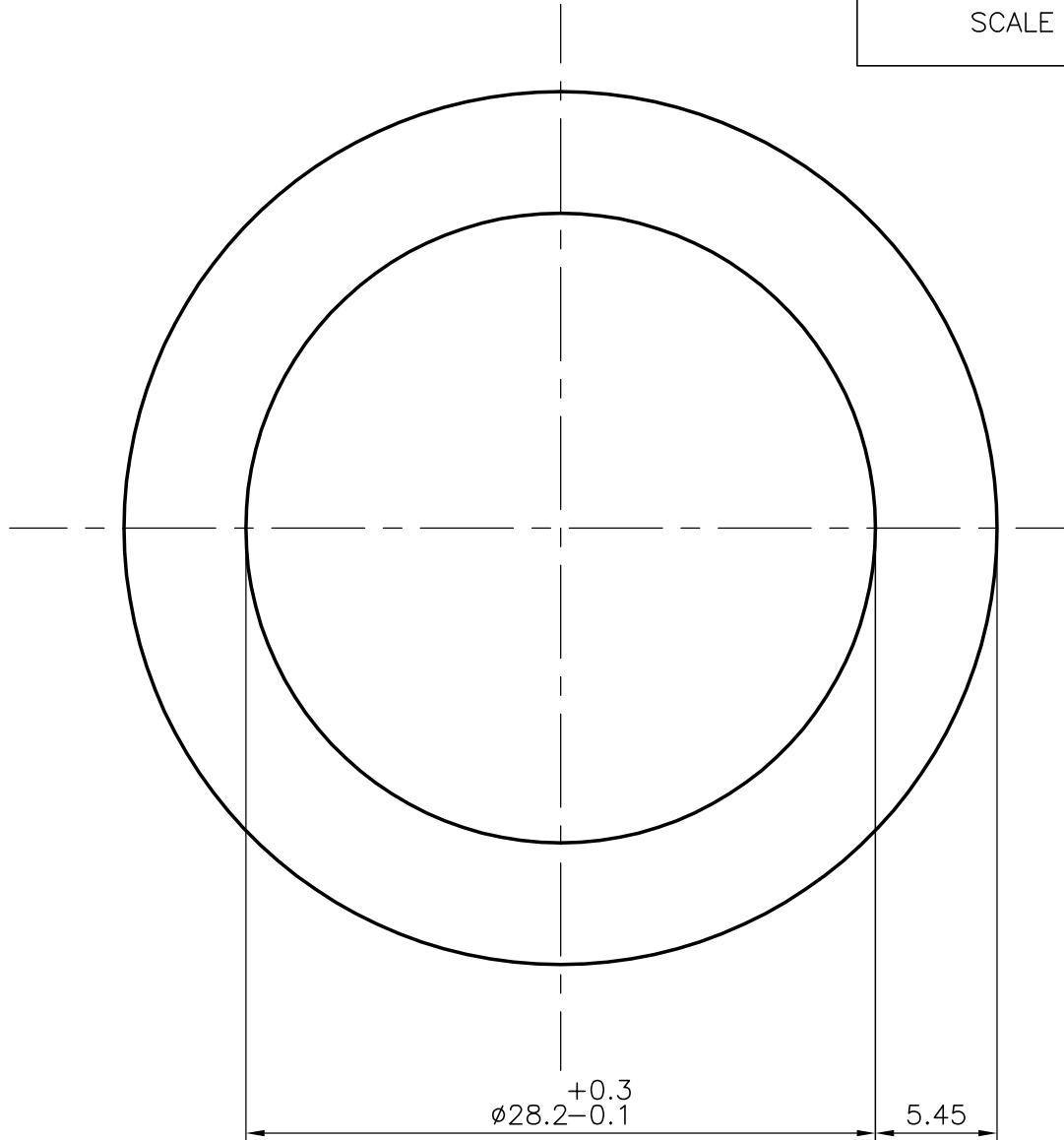
S719-ISSUE 2

9843

13340



SCALE :1:1



SYMBOL OF QUALITY  
AN ISO 9002 COMPANY

**JINDAL ALUMINIUM LTD.**  
BANGALORE-560073 (INDIA)

	NAME	DATE
DRAWN	SUDIP ROU	13.07.2001
CHECKED		
APPROVED		

1. ALL DIMENSIONS ARE IN mm.
2. ROUND OFF ALL SHARP CORNERS WITH 0.40 mm.
3. TOLERANCES WILL BE AS PER IS: 2673-1979 UNLESS OTHERWISE SPECIFIED

SCALE	3:1 & 1:1
WEIGHT kg/m	1.555
SECTION No.	13340

PARTY'S NAME	GRIPPERS INC .,MUMBAI
PARTY'S DRAWING No.	AS PER SPECIFICATION
ALLOY & TEMPER	E1E "M"
DESCRIPTION	ROUND TUBE

DRAWING No.  
13340