

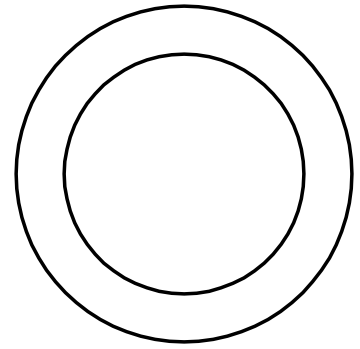
PERIMETER = 139.49mm

P-3401-ISSUE 2

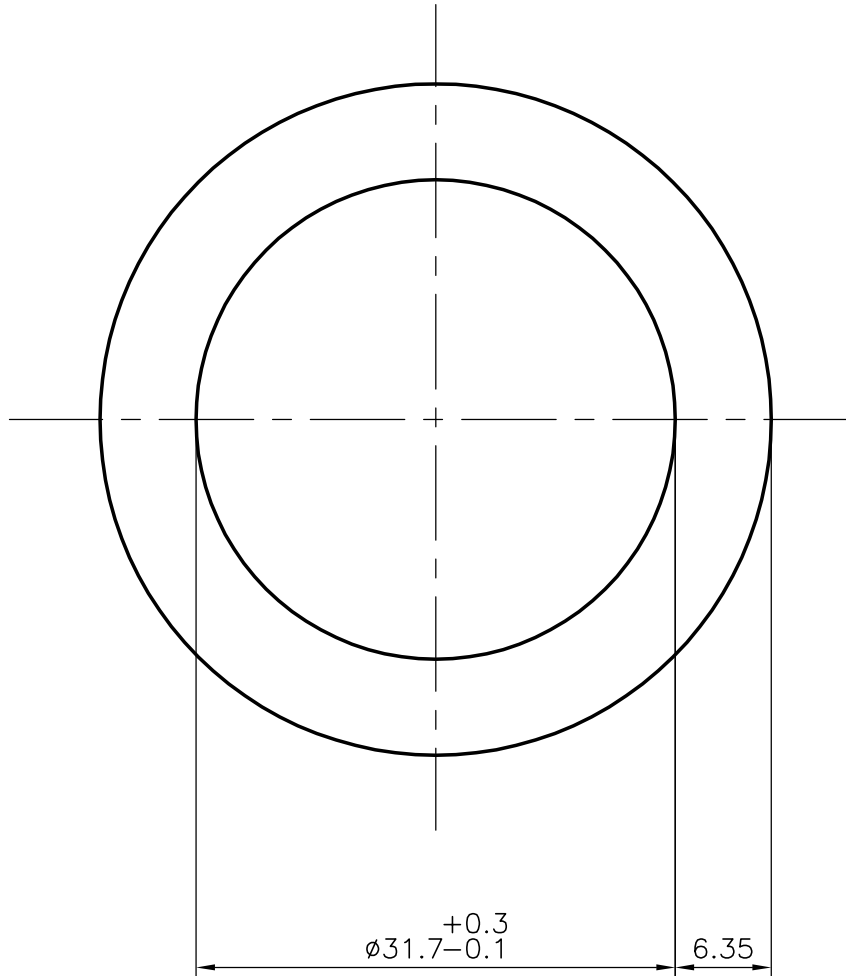
S720-ISSUE 2

9844

13341



SCALE :1:1



SYMBOL OF QUALITY  
AN ISO 9002 COMPANY

**JINDAL ALUMINIUM LTD.**  
BANGALORE-560073 (INDIA)

	NAME	DATE
DRAWN	SUDIP ROY	13.07.2001
CHECKED		
APPROVED		

1. ALL DIMENSIONS ARE IN mm.
2. ROUND OFF ALL SHARP CORNERS WITH 0.40 mm.
3. TOLERANCES WILL BE AS PER IS: 2673-1979 UNLESS OTHERWISE SPECIFIED

PARTY'S NAME	GRIPPERS INC .,MUMBAI	SCALE	2:1 & 1:1
PARTY'S DRAWING No.	AS PER SPECIFICATION	WEIGHT kg/m	2.049
ALLOY & TEMPER	E1E "M"	SECTION No.	13341
DESCRIPTION	ROUND TUBE	DRAWING No.	13341