

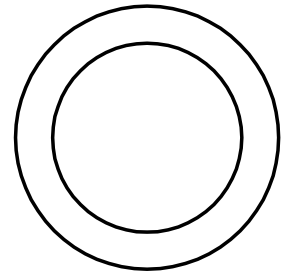
PERIMETER :- 109.33 mm

P-3417-ISSUE 2

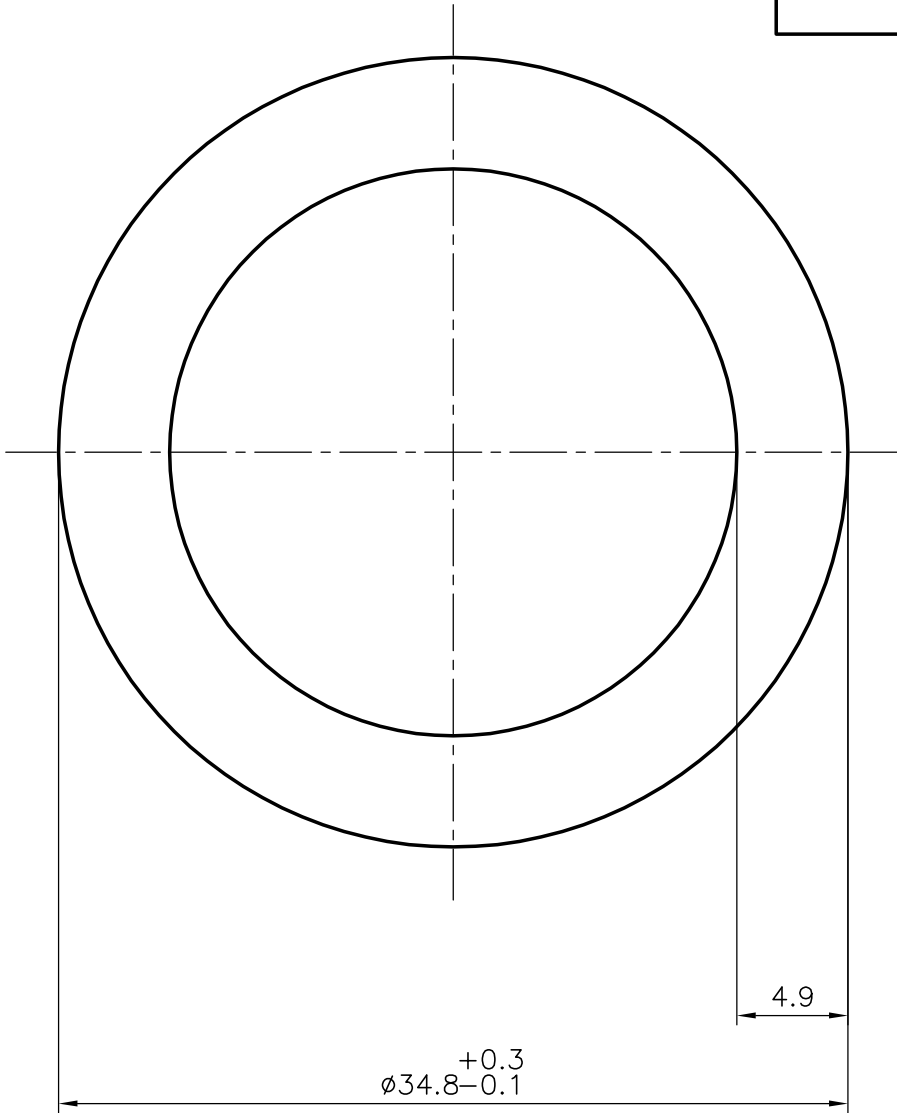
S729-ISSUE 2

9845

13342



SCALE 1:1



JINDAL ALUMINIUM LTD.
BANGALORE-560073 (INDIA)

	NAME	DATE
DRAWN	SUDIP ROY	13.07.2001
CHECKED		
APPROVED		

1. ALL DIMENSIONS ARE IN mm.
2. ROUND OFF ALL SHARP CORNERS WITH 0.40 mm.
3. TOLERANCES WILL BE AS PER IS: 2673-1979 UNLESS OTHERWISE SPECIFIED

PARTY'S NAME	GRIPPERS INC ,. MUMBAI
PARTY'S DRAWING No.	AS PER SPECIFICATION
ALLOY & TEMPER	E1E "M"
DESCRIPTION	ROUND TUBE

SCALE	3:1 , 1:1
WEIGHT kg/m	1.242
SECTION No.	13342
DRAWING No.	13342