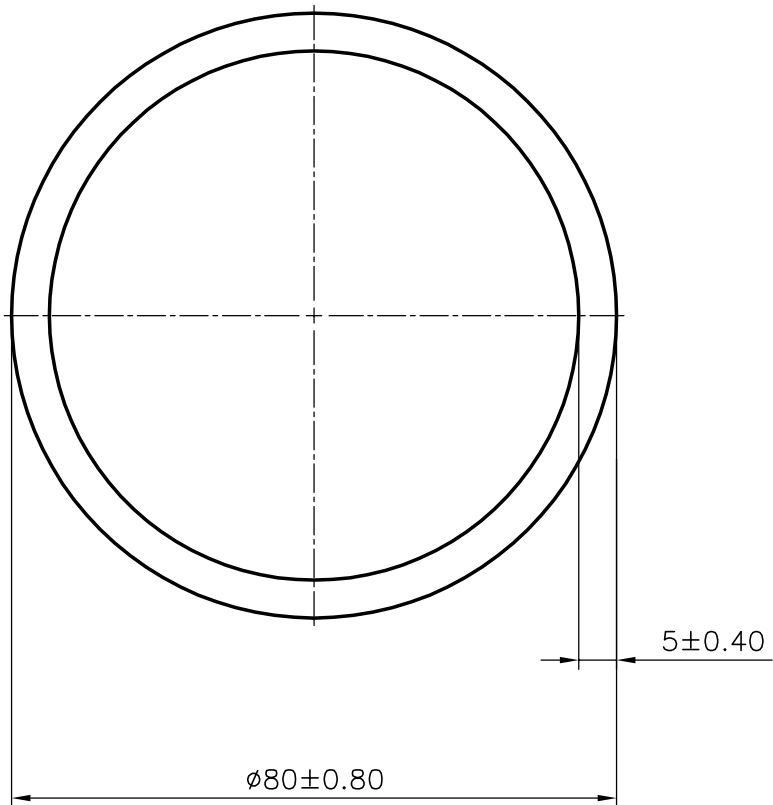



P-3658
S805
9852
13349



 SYMBOL OF QUALITY AN ISO 9002 COMPANY	<b>JINDAL ALUMINIUM LTD.</b> BANGALORE-560073 (INDIA)		NAME	DATE
		DRAWN	RAGHAVENDRA	24-11-01
1. ALL DIMENSIONS ARE IN mm. 2. ROUND OFF ALL SHARP CORNERS WITH 0.40 mm. 3. TOLERANCES WILL BE AS PER IS 2673-1979 UNLESS OTHERWISE SPECIFIED		CHECKED		
		APPROVED		
PARTY'S NAME SOWMYA FAB ,. BANGALORE		SCALE	1:1	
		AREA mm <sup>2</sup>	1178.10	
PARTY'S DRAWING No. AS PER SPECIFICATION		PERIMETER	251.33mm	
		WEIGHT kg/m	3.180	
ALLOY & TEMPER E1C "M" (19000)		SECTION No.	13349	
DESCRIPTION ROUND TUBE		DRAWING No.	13349	