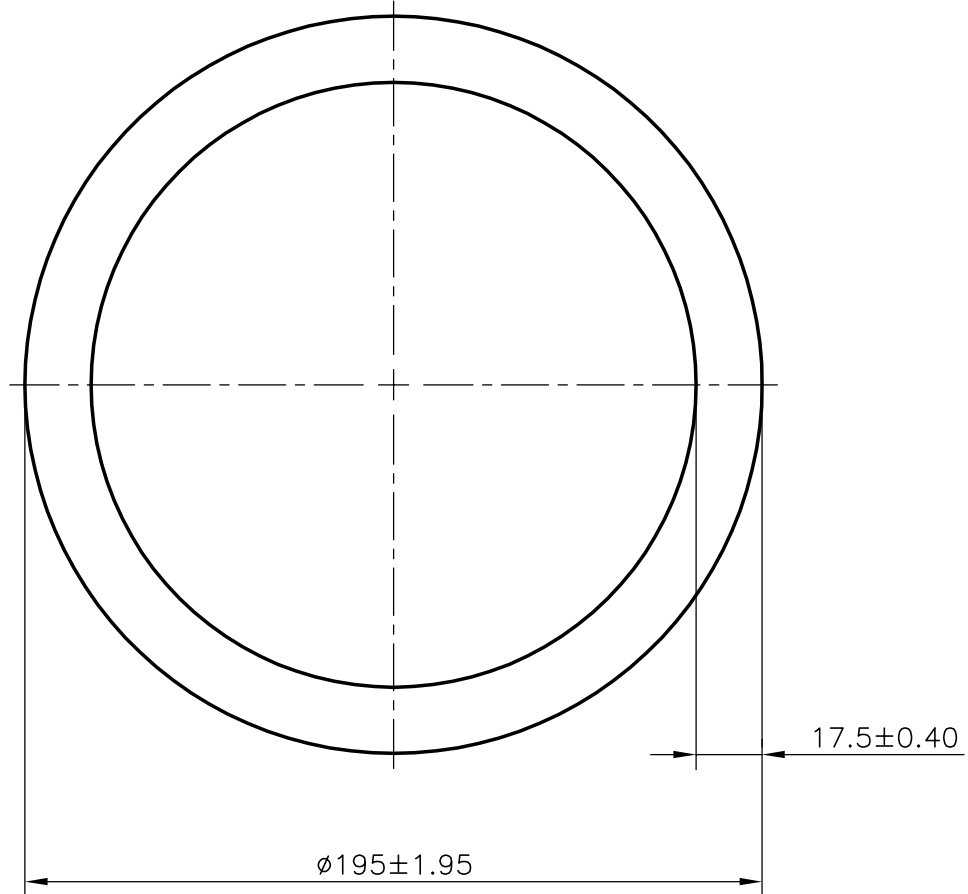


P-3698-1

S827

9853

13350



TOLERANCES FOR STRAIGHTNESS = 1.7mm /M
LENGTH = 1440mm



SYMBOL OF QUALITY
AN ISO 9002 COMPANY

JINDAL ALUMINIUM LTD.
BANGALORE-560073 (INDIA)

	NAME	DATE
DRAWN	RAGHAVENDRA	27-12-01
CHECKED		
APPROVED		

1. ALL DIMENSIONS ARE IN mm.
2. ROUND OFF ALL SHARP CORNERS WITH 0.40 mm.
3. TOLERANCES WILL BE AS PER IS 2673-1979 UNLESS OTHERWISE SPECIFIED

PARTY'S NAME	SREE LAKSHMI ENTERPRISES ,. BANGALORE	SCALE	1:2
PARTY'S DRAWING No.	AS PER SPECIFICATION	WEIGHT kg/m	26.348
ALLOY & TEMPER	6061 T6	PERIMETER	612.61
DESCRIPTION	ROUND TUBE	SECTION No.	13350
		DRAWING No.	13350