

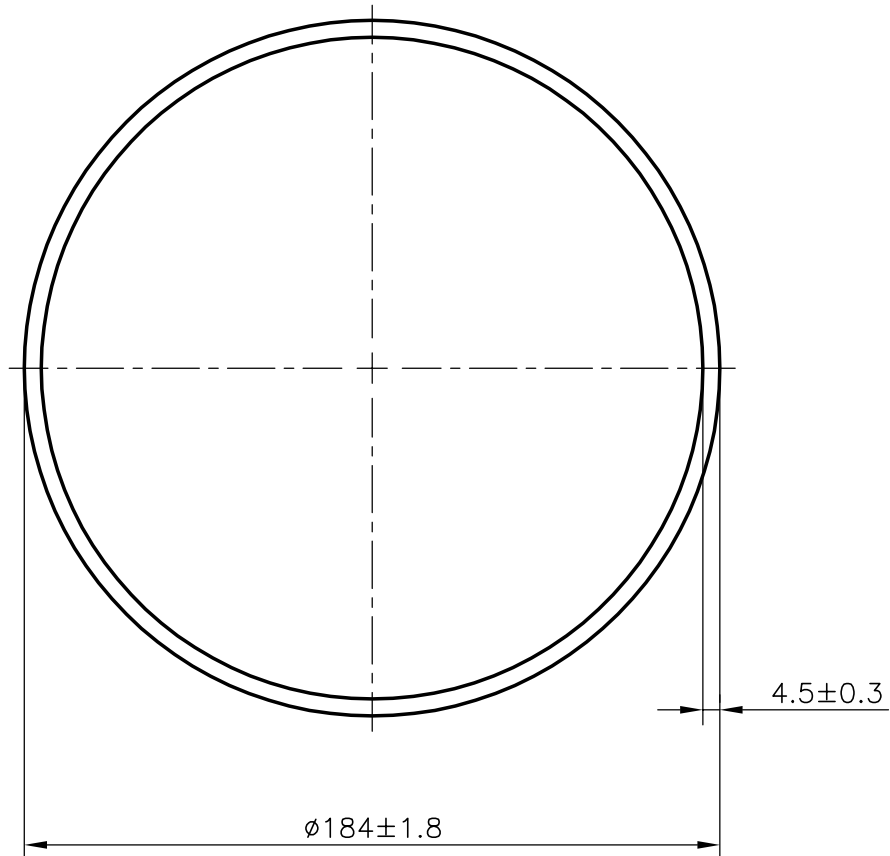
P-3703


S830

9855

13352

TOLERANCES FOR STRAIGHTNESS = 1.7mm /M



 SYMBOL OF QUALITY AN ISO 9002 COMPANY	<b>JINDAL ALUMINIUM LTD.</b> BANGALORE-560073 (INDIA)		NAME	DATE
		DRAWN	RAGHAVENDRA	25-12-01
1. ALL DIMENSIONS ARE IN mm. 2. ROUND OFF ALL SHARP CORNERS WITH 0.40 mm. 3. TOLERANCES WILL BE AS PER IS 2673-1979 UNLESS OTHERWISE SPECIFIED		CHECKED		
		APPROVED		
		SCALE	1:2	
PARTY'S NAME	KADEVI ENGINEERING CO PVT LTD HYDERABAD	WEIGHT kg/m	6.851	
PARTY'S DRAWING No.	AS PER SPECIFICATION	PERIMETER	578.05	
ALLOY & TEMPER	6351 T6	SECTION No.	13352	
DESCRIPTION	ROUND TUBE	DRAWING No.	13352	