

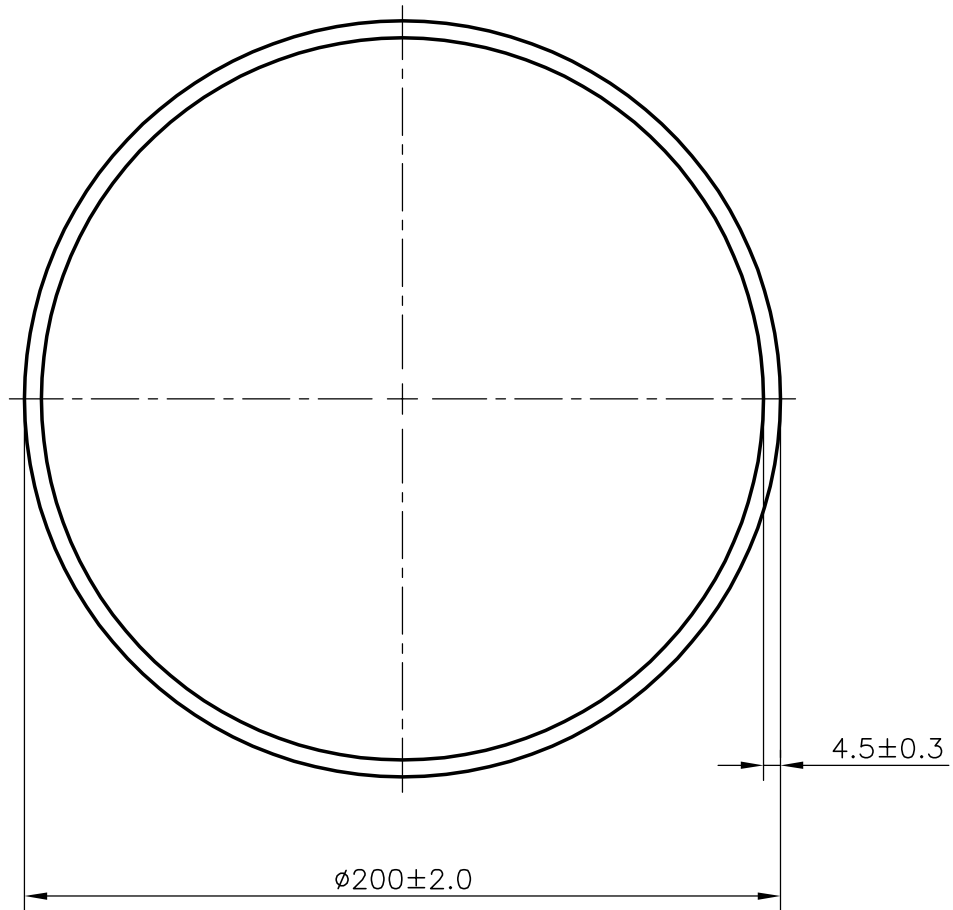
P-3704

S831

9856

13353

TOLERANCES FOR STRAIGHTNESS = 1.7mm /M



SYMBOL OF QUALITY
AN ISO 9002 COMPANY

JINDAL ALUMINIUM LTD.
BANGALORE-560073 (INDIA)

| | NAME | DATE |
|----------|-------------|----------|
| DRAWN | RAGHAVENDRA | 25-12-01 |
| CHECKED | | |
| APPROVED | | |

1. ALL DIMENSIONS ARE IN mm.
2. ROUND OFF ALL SHARP CORNERS WITH 0.40 mm.
3. TOLERANCES WILL BE AS PER IS 2673-1979 UNLESS OTHERWISE SPECIFIED

| | | | |
|---------------------|---|-------------|----------|
| PARTY'S NAME | KADEVI ENGINEERING CO PVT LTD HYDERABAD | SCALE | 1:2 |
| PARTY'S DRAWING No. | AS PER SPECIFICATION | WEIGHT kg/m | 7.462 |
| ALLOY & TEMPER | 6351 T6 | PERIMETER | 628.31mm |
| DESCRIPTION | ROUND TUBE | SECTION No. | 13353 |
| | | DRAWING No. | 13353 |