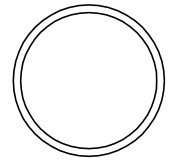


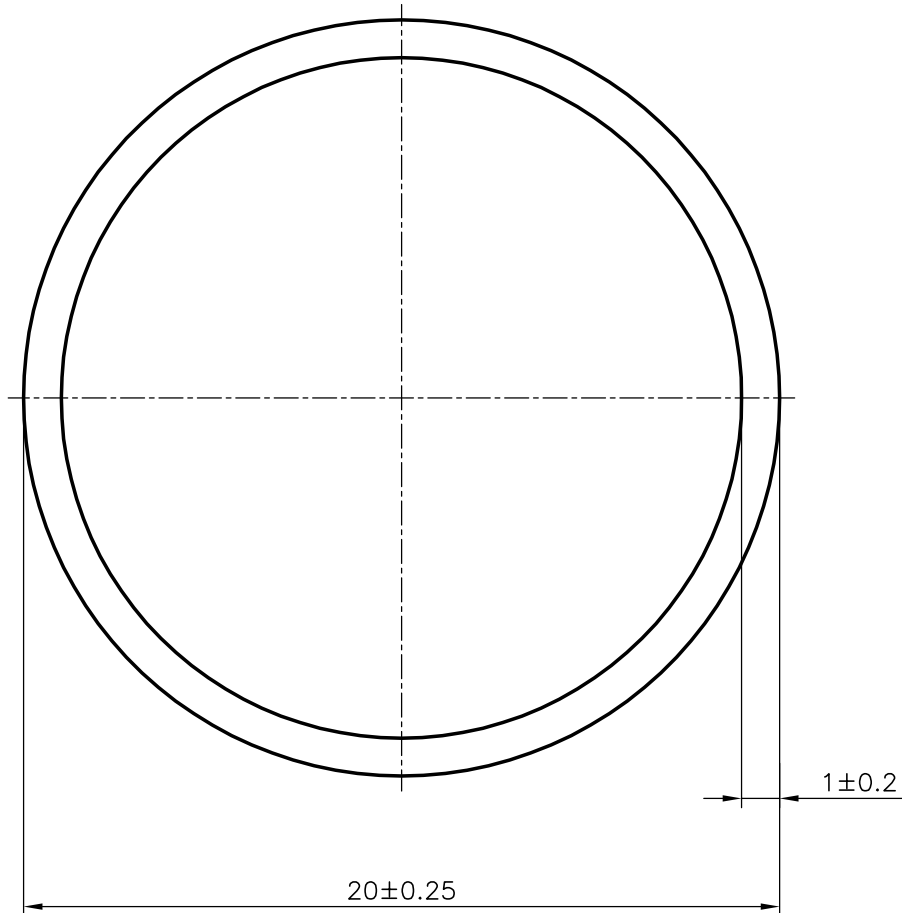
P-4861

S1218

13359



SCALE 1:1



SYMBOL OF QUALITY
AN ISO 9002 COMPANY

JINDAL ALUMINIUM LTD.
BANGALORE-560073 (INDIA)

	NAME	DATE
DRAWN	RAGHAVENDRA	11-05-2004
CHECKED		
APPROVED		

1. ALL DIMENSIONS ARE IN mm.
2. ROUND OFF ALL SHARP CORNERS WITH 0.40 mm.
3. TOLERANCES WILL BE AS PER IS:2673-2002 UNLESS OTHERWISE SPECIFIED

SCALE	5:1
AREA mm ²	59.69
PERIMETER mm.	62.832
WEIGHT kg/m	0.161

PARTY'S NAME	LAXMI ENGINEERING INDUSTRIES, BHOPAL
--------------	--------------------------------------

DRAWING No.	SECTION No.
-------------	-------------

PARTY'S DRAWING No.	AS PER SPECIFICATION
---------------------	----------------------

P-4861

-

ALLOY & TEMPER	6060 T5
----------------	---------

S1218

S1218

13359

13359

DESCRIPTION	ROUND TUBE
-------------	------------