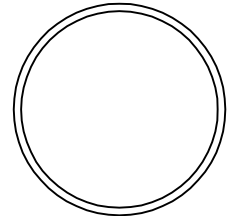


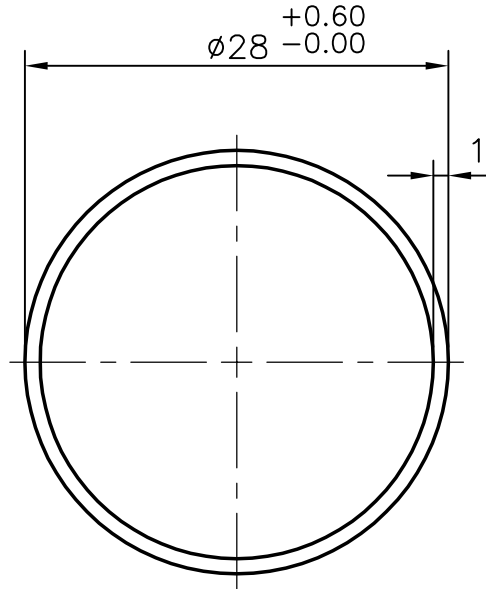
P-2428-1

S972-ISSUE-2

13360



1:1



TOLERANCE ADDED ON O.D. 28 mm. <sup>+0.60</sup>/<sub>-0.00</sub>



SYMBOL OF QUALITY  
AN ISO 9002 COMPANY

**JINDAL ALUMINIUM LTD.**  
BANGALORE-560073 (INDIA)

	NAME	DATE
DRAWN	R.D.Sharma	08-07-03
CHECKED		
APPROVED		

1. ALL DIMENSIONS ARE IN mm.
2. ROUND OFF ALL SHARP CORNERS WITH 0.40 mm.
3. TOLERANCES WILL BE AS PER IS: 2673-1979 UNLESS OTHERWISE SPECIFIED

SCALE	2:1
AREA mm <sup>2</sup>	84.8
PERIMETER mm.	88

PARTY'S NAME	MAC DECOR LTD., NEW DELHI	WEIGHT kg/m	0.229
PARTY'S DRAWING No.	AS PER SPECIFICATION	SECTION No.	13360
ALLOY & TEMPER	HE9 WP	DRAWING No.	13360
DESCRIPTION	ROUND TUBE		