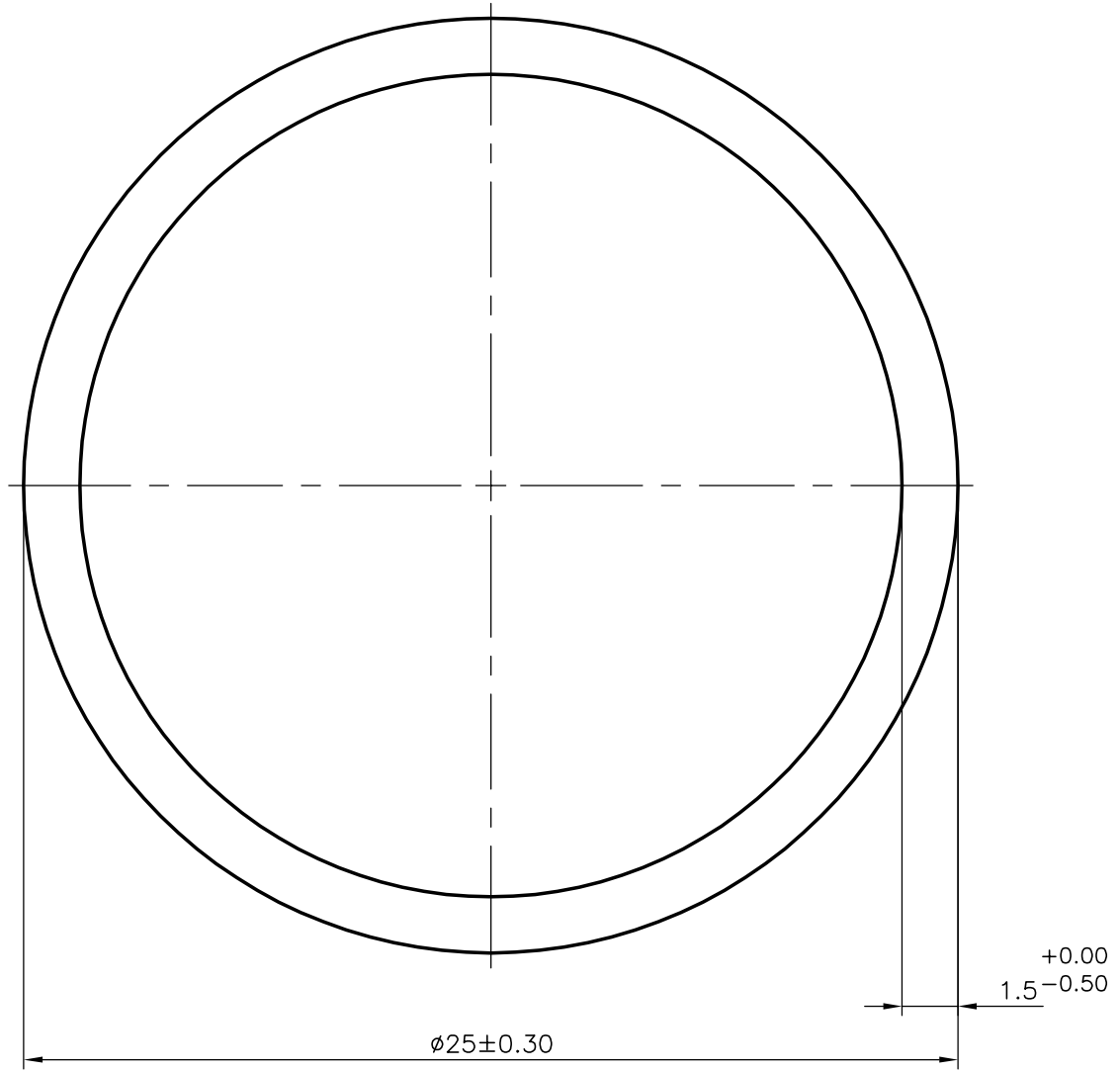
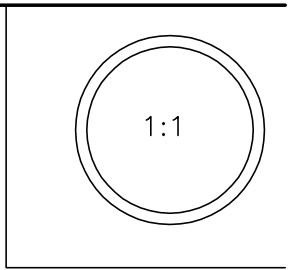


P-5054
S1304
13363



JINDAL ALUMINIUM LTD.
BANGALORE-560073 (INDIA)

		NAME	DATE
DRAWN		malingappa	30-08-200
CHECKED			
APPROVED			
SCALE			5:1
AREA mm ²			110.74
PERIMETER mm.			78.54
WEIGHT kg/m			0.299
DRAWING No.		SECTION No.	
P-5054		-	
S1304		S1304	
13363		13363	

1. ALL DIMENSIONS ARE IN mm. 2. ROUND OFF ALL SHARP CORNERS WITH 0.40 mm. 3. TOLERANCES WILL BE AS PER IS:2673-2002 UNLESS OTHERWISE SPECIFIED	
PARTY'S NAME	LAXMI ENGINEERING INDUSTRIES, BHOPAL
PARTY'S DRAWING No.	AS PER SPECIFICATION
ALLOY & TEMPER	HE9 W (63400 W)
DESCRIPTION	ROUND TUBE