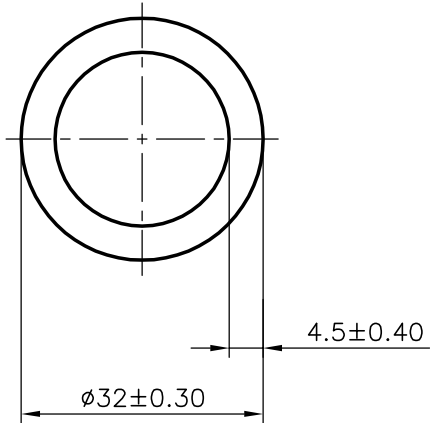



P-5302
S1437
13375



 SYMBOL OF QUALITY AN ISO 9001 COMPANY	<b>JINDAL ALUMINIUM LTD.</b> <i>BANGALORE-560073 (INDIA)</i>		NAME	DATE
		DRAWN	MALINGAPPA	21-02-2005
1. ALL DIMENSIONS ARE IN mm. 2. ROUND OFF ALL SHARP CORNERS WITH 0.40 mm. 3. TOLERANCES WILL BE AS PER IS: 2673-2002 UNLESS OTHERWISE SPECIFIED		CHECKED		
		APPROVED		
PARTY'S NAME TYCO ELECTRONICS SYSTEMS INDIA PVT. LTD, BANGALORE.		SCALE		1:1
		AREA mm <sup>2</sup>		388.772
PARTY'S DRAWING No. AS PER SPECIFICATION		PERIMETER mm.		100.531
		WEIGHT kg/m		1.050
ALLOY & TEMPER 6063 T4		DRAWING No.	SECTION No.	
		P-5302	-	
DESCRIPTION ROUND TUBE		S1437	S1437	
		13375	13375	