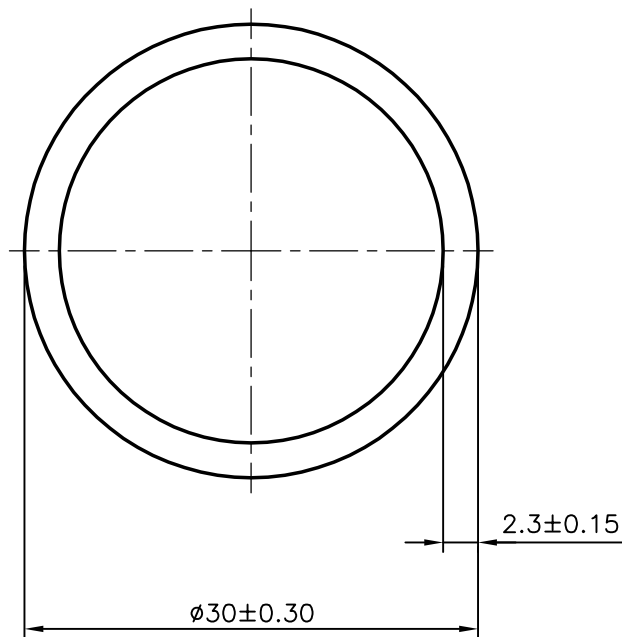
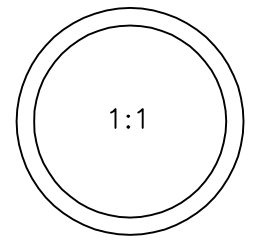


P-5558

13379



SYMBOL OF QUALITY
AN ISO 9001 COMPANY

JINDAL ALUMINIUM LTD.
BANGALORE-560073 (INDIA)

	NAME	DATE
DRAWN	MALINGAPPA	02-06-2005
CHECKED		
APPROVED		

1. ALL DIMENSIONS ARE IN mm.
2. ROUND OFF ALL SHARP CORNERS WITH 0.40 mm.
3. TOLERANCES WILL BE AS PER BS:1474-1987 UNLESS OTHERWISE SPECIFIED

SCALE	1:1
AREA mm ²	200.151
PERIMETER mm.	94.248
WEIGHT kg/m	0.540

PARTY'S NAME	CAUCHO METAL PRODUCTS, S.L., SPAIN	DRAWING No.	P-5558	SECTION No.	-
PARTY'S DRAWING No.	3957711		13379		13379
ALLOY & TEMPER	6082 T6				
DESCRIPTION	ROUND TUBE				