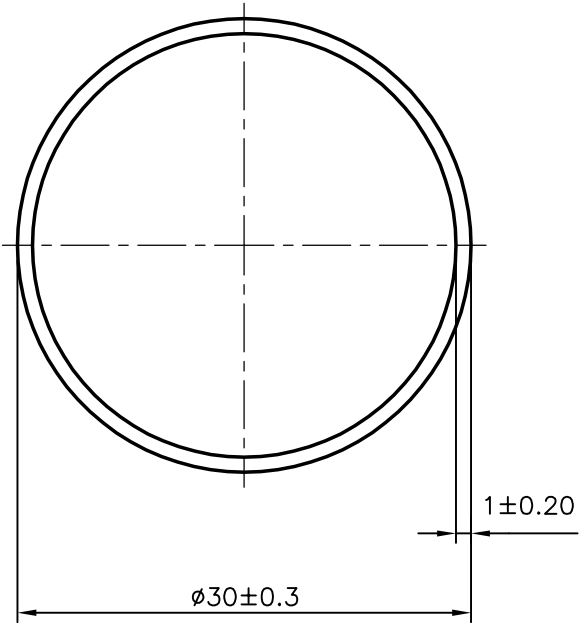
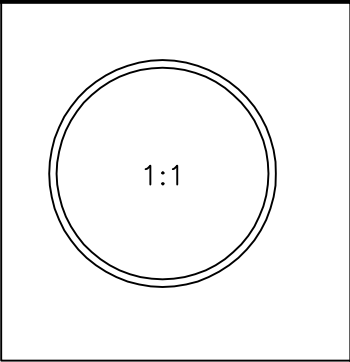



P-5490
S1491
13382



 SYMBOL OF QUALITY AN ISO 9001 COMPANY	<b>JINDAL ALUMINIUM LTD.</b> <i>BANGALORE-560073 (INDIA)</i>	NAME		DATE
		DRAWN	MALINGAPPA	07-05-2005
1. ALL DIMENSIONS ARE IN mm. 2. ROUND OFF ALL SHARP CORNERS WITH 0.40 mm. 3. TOLERANCES WILL BE AS PER IS:2673-2002 UNLESS OTHERWISE SPECIFIED		CHECKED		
		APPROVED		
PARTY'S NAME LAXMI ENGINEERING INDUSTRIES, BHOPAL		SCALE		2:1
		AREA mm <sup>2</sup>		91.106
PARTY'S DRAWING No. AS PER SPECIFICATION		PERIMETER mm.		94.248
		WEIGHT kg/m		0.246
ALLOY & TEMPER 63400 W		DRAWING No.	SECTION No.	
		P-5490	-	
DESCRIPTION ROUND TUBE		S1491	S1491	
		13382	13382	