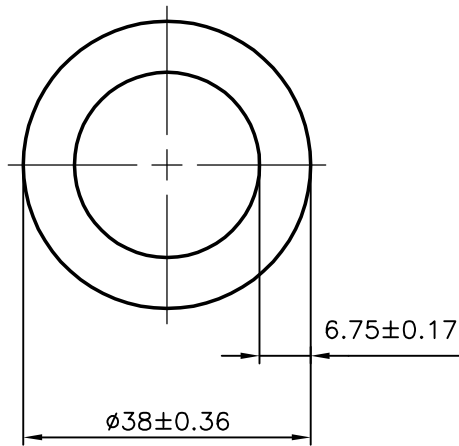


P-5750-2

13385



SYMBOL OF QUALITY
AN ISO 9001 COMPANY

JINDAL ALUMINIUM LTD.
BANGALORE-560073 (INDIA)

	NAME	DATE
DRAWN	MALINGAPPA	09-08-2005
CHECKED		
APPROVED		
SCALE		1:1
AREA mm ²		662.68
PERIMETER mm.		119.381
WEIGHT kg/m		1.789
DRAWING No.	SECTION No.	
P-5750-2	-	
13385	13385	

1. ALL DIMENSIONS ARE IN mm.
2. ROUND OFF ALL SHARP CORNERS WITH 0.40 mm.
3. TOLERANCES WILL BE AS PER BS:1474-1987 UNLESS OTHERWISE SPECIFIED

PARTY'S NAME	FCI - CONNECTORS, SPAIN
PARTY'S DRAWING No.	AS PER SPECIFICATION
ALLOY & TEMPER	1050
DESCRIPTION	ROUND TUBE