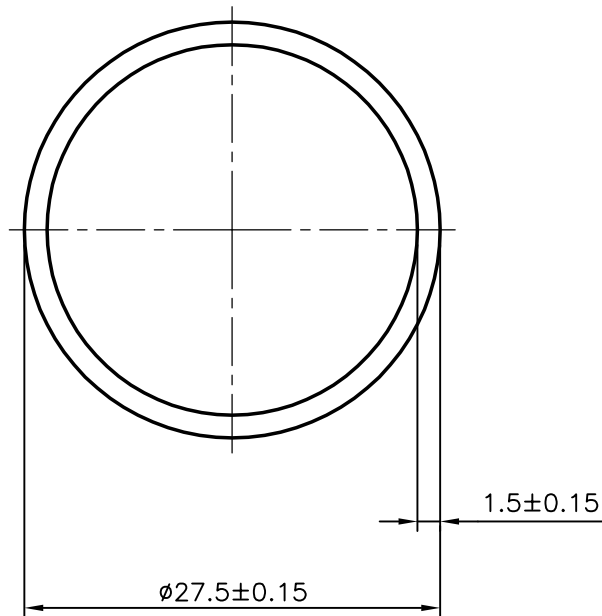
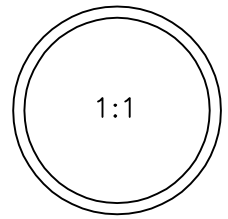


P-5549-1

13387



SYMBOL OF QUALITY  
AN ISO 9001 COMPANY

**JINDAL ALUMINIUM LTD.**  
*BANGALORE-560073 (INDIA)*

	NAME	DATE
DRAWN	MALINGAPPA	04-08-2005
CHECKED		
APPROVED		

1. ALL DIMENSIONS ARE IN mm.
2. ROUND OFF ALL SHARP CORNERS WITH 0.40 mm.
3. TOLERANCES WILL BE AS PER IS:6477-1983 UNLESS OTHERWISE SPECIFIED

SCALE	2:1
AREA mm <sup>2</sup>	122.522
PERIMETER mm.	86.394
WEIGHT kg/m	0.331

PARTY'S NAME	CAUCHO METAL PRODUCTS, S.L., SPAIN	DRAWING No.	P-5549-1	SECTION No.	
PARTY'S DRAWING No.	4782812		13387		13387
ALLOY & TEMPER	6063				
DESCRIPTION	ROUND TUBE				