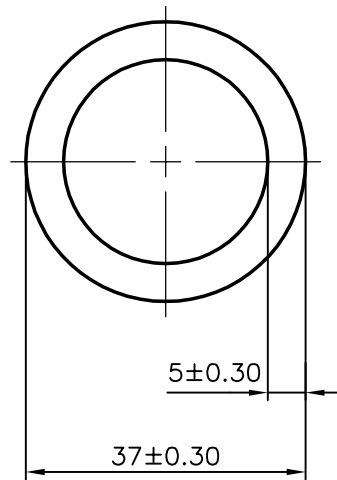


P-5847

S1584

13388



SYMBOL OF QUALITY
AN ISO 9001 COMPANY

JINDAL ALUMINIUM LTD.
BANGALORE-560073 (INDIA)

	NAME	DATE
DRAWN	MALINGAPPA	01-09-2005
CHECKED		
APPROVED		
SCALE		1:1
AREA mm ²		502.655
PERIMETER mm.		116.239
WEIGHT kg/m		1.357
DRAWING No.	SECTION No.	
P-5847	-	
S1584	S1584	
13388	13388	

1. ALL DIMENSIONS ARE IN mm.
2. ROUND OFF ALL SHARP CORNERS WITH 0.40 mm.
3. TOLERANCES WILL BE AS PER IS:2673-2002 UNLESS OTHERWISE SPECIFIED

PARTY'S NAME	VISOKA ENGINEERING PVT. LTD., CHENNAI
PARTY'S DRAWING No.	AS PER SPECIFICATION
ALLOY & TEMPER	1050 F
DESCRIPTION	ROUND TUBE