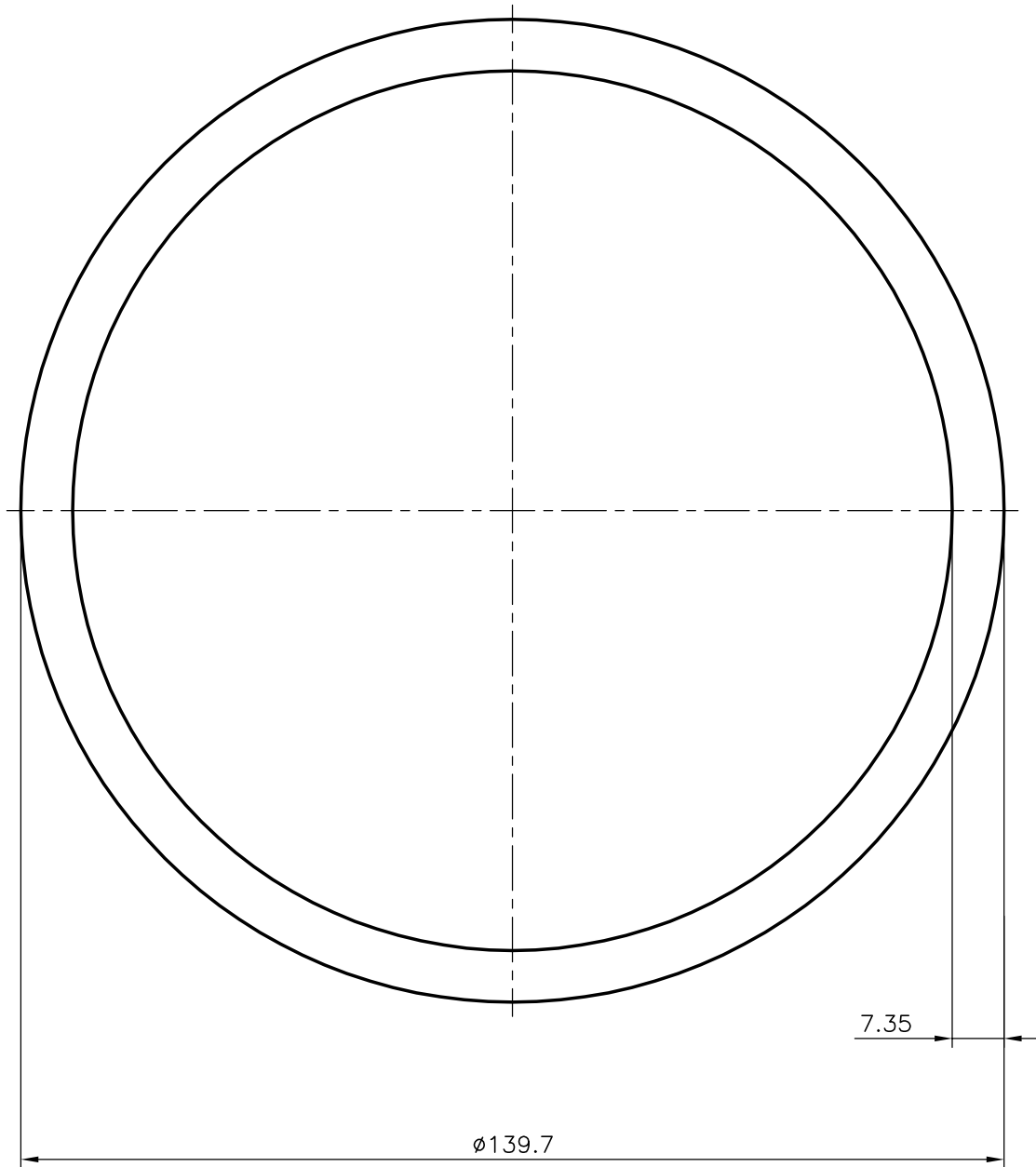


P-4893

S1247

13392



SYMBOL OF QUALITY  
AN ISO 9002 COMPANY

**JINDAL ALUMINIUM LTD.**  
*BANGALORE-560073 (INDIA)*

	NAME	DATE
DRAWN	RAGHAVENDRA	01-06-2004
CHECKED		
APPROVED		
SCALE		1:1
AREA mm <sup>2</sup>		3056.055
PERIMETER mm.		438.88
WEIGHT kg/m		8.251
DRAWING No.	SECTION No.	
P-4893	-	
S1247	S1247	
13392	13392	

1. ALL DIMENSIONS ARE IN mm.
2. ROUND OFF ALL SHARP CORNERS WITH 0.50 mm.
3. TOLERANCES WILL BE AS PER IS:2376-2002 UNLESS OTHERWISE SPECIFIED

PARTY'S NAME	ALFRED HERBERT LTD, BANGALORE
PARTY'S DRAWING No.	AS PER SPECIFICATION
ALLOY & TEMPER	63400 P
DESCRIPTION	ROUND TUBE