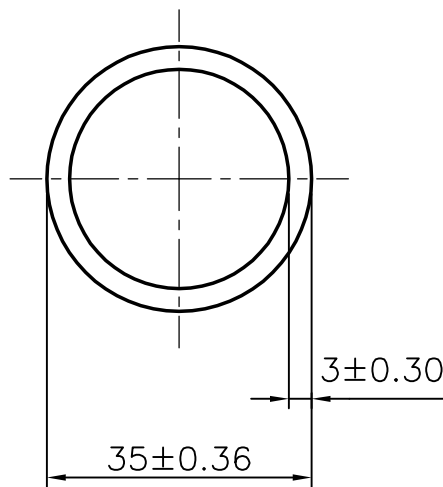


P-5440

S1469

13393



SYMBOL OF QUALITY
AN ISO 9001 COMPANY

JINDAL ALUMINIUM LTD.
BANGALORE-560073 (INDIA)

	NAME	DATE
DRAWN	MALINGAPPA	17.04.2005
CHECKED		
APPROVED		
SCALE		1:1
AREA mm ²		301.593
PERIMETER mm.		109.956
WEIGHT kg/m		0.814
DRAWING No.	SECTION No.	
P-5440	-	
S1469	S1469	
13393	13393	

1. ALL DIMENSIONS ARE IN mm.
2. ROUND OFF ALL SHARP CORNERS WITH 0.40 mm.
3. TOLERANCES WILL BE AS PER IS: 2673-2002 UNLESS OTHERWISE SPECIFIED

PARTY'S NAME	BHA BA ENGINEERING PVT. LTD., MAHARASHTRA
PARTY'S DRAWING No.	AS PER SPECIFICATION
ALLOY & TEMPER	63400 WP
DESCRIPTION	ROUND TUBE