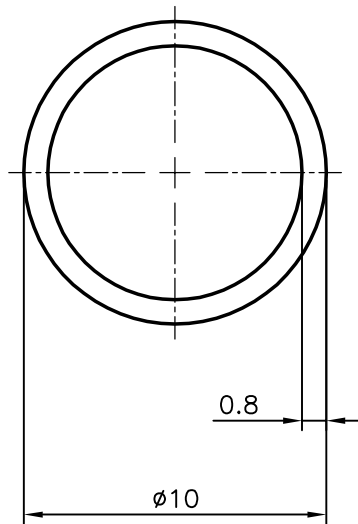


P-6563

13394



SYMBOL OF QUALITY
AN ISO 9001 COMPANY

JINDAL ALUMINIUM LTD.
BANGALORE-560073 (INDIA)

	NAME	DATE
DRAWN	J.P.KAUSHIK	11-07-2006
CHECKED		
APPROVED		
SCALE		4:1
AREA mm ²		23.122
PERIMETER mm.		31.416
WEIGHT kg/m		0.062
DRAWING No.		
	P-6563	-
	13394	13394

1. ALL DIMENSIONS ARE IN mm.
2. ROUND OFF ALL SHARP CORNERS WITH 0.40 mm.
3. TOLERANCES WILL BE AS PER IS:2673-2002 UNLESS OTHERWISE SPECIFIED

PARTY'S NAME	VARDHMAN HOME APPLIANCES LTD. NEW DELHI (GENERAL CATEGORY)
PARTY'S DRAWING No.	AS PER SPECIFICATION
ALLOY & TEMPER	E1E M
DESCRIPTION	ROUND TUBE