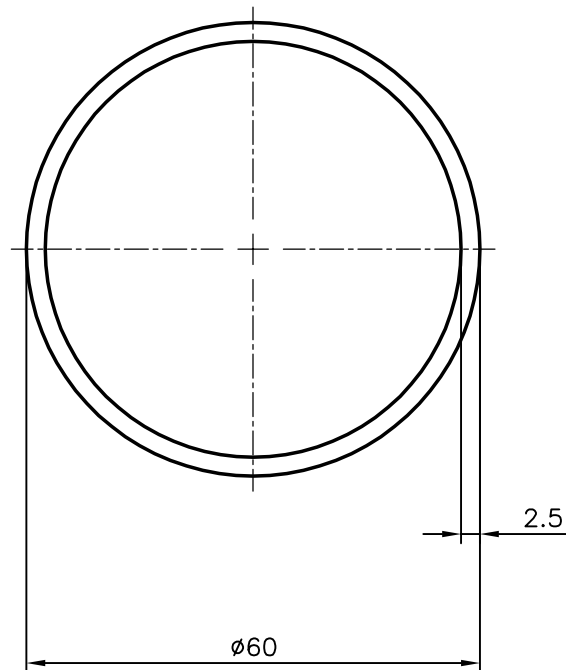


13395

-



SYMBOL OF QUALITY  
AN ISO 9001 COMPANY

**JINDAL ALUMINIUM LTD.**  
*BANGALORE-560073 (INDIA)*

	NAME	DATE
DRAWN	J.P.KAUSHIK	28-07-2006
CHECKED		
APPROVED		

1. ALL DIMENSIONS ARE IN mm.
2. ROUND OFF ALL SHARP CORNERS WITH 0.40 mm.
3. TOLERANCES WILL BE AS PER IS:2673-2002 UNLESS OTHERWISE SPECIFIED

SCALE	1:1
AREA mm <sup>2</sup>	451.604
PERIMETER mm.	188.496
WEIGHT kg/m	1.219

PARTY'S NAME	-	DRAWING No.	13395
PARTY'S DRAWING No.	HEAVIER OF SECTION No 13075		13395
ALLOY & TEMPER	6063 T6		-
DESCRIPTION	ROUND TUBE		