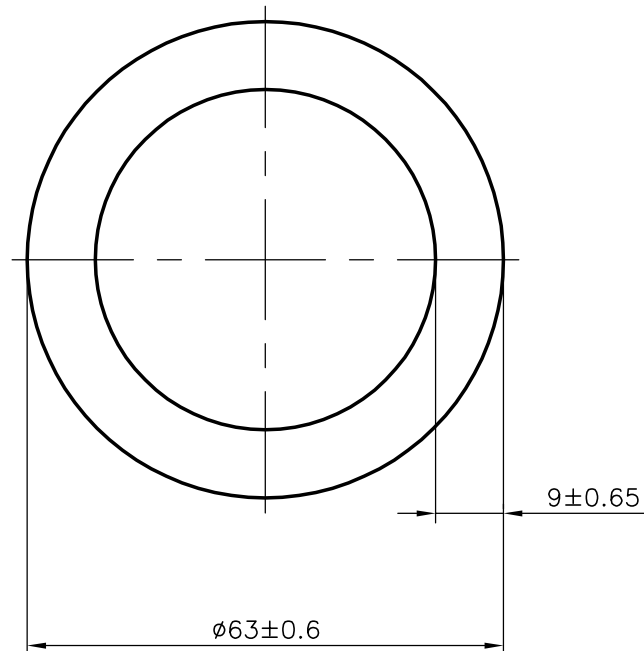


P-4869

S1220

13397



SYMBOL OF QUALITY
AN ISO 9002 COMPANY

JINDAL ALUMINIUM LTD.
BANGALORE-560073 (INDIA)

	NAME	DATE
DRAWN	RAGHAVENDRA	17-05-2004
CHECKED		
APPROVED		

1. ALL DIMENSIONS ARE IN mm.
2. ROUND OFF ALL SHARP CORNERS WITH 0.40 mm.
3. TOLERANCES WILL BE AS PER IS:2673-2002 UNLESS OTHERWISE SPECIFIED

SCALE	1:1
AREA mm ²	1526.814
PERIMETER mm.	197.92
WEIGHT kg/m	4.122

PARTY'S NAME S TEXTRAVELLERS PVT LTD, BANGALORE

DRAWING No. SECTION No.

PARTY'S DRAWING No. AS PER SPECIFICATION

P-4869

-

ALLOY & TEMPER HE9 WP

S1220

S1220

13397

13397

DESCRIPTION

ROUND TUBE