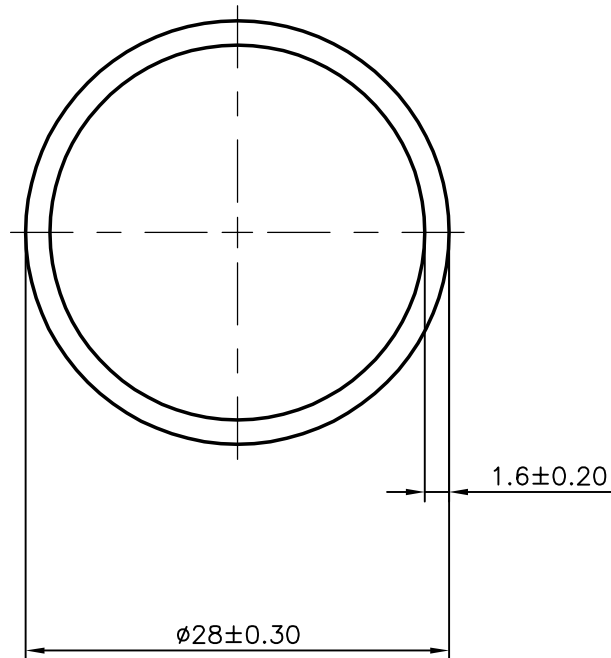
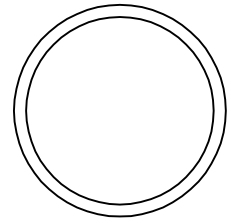


P-6603-1

13401



SYMBOL OF QUALITY
AN ISO 9001 COMPANY

JINDAL ALUMINIUM LTD.
BANGALORE-560073 (INDIA)

	NAME	DATE
DRAWN	J.P.KAUSHIK	23-08-2006
CHECKED		
APPROVED		

1. ALL DIMENSIONS ARE IN mm.
2. ROUND OFF ALL SHARP CORNERS WITH 0.40 mm.
3. TOLERANCES WILL BE AS PER IS:2673-2002 UNLESS OTHERWISE SPECIFIED

SCALE	2:1
AREA mm ²	132.701
PERIMETER mm.	87.965
WEIGHT kg/m	0.358

PARTY'S NAME	SIDDHI ENGINEERS., AHMEDABAD
PARTY'S DRAWING No.	AS PER SPECIFICATION
ALLOY & TEMPER	3103 M
DESCRIPTION	ROUND TUBE

DRAWING No.	SECTION No.
P-6603-1	-
13401	13401