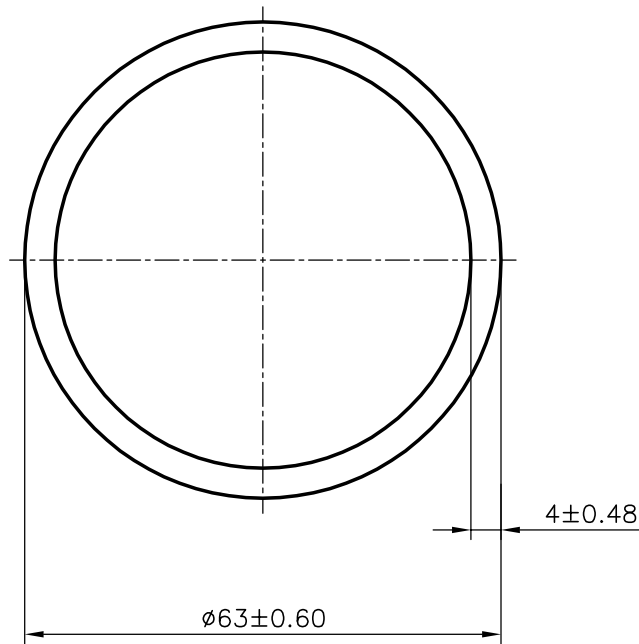



P-5042

S1289

13404



 SYMBOL OF QUALITY AN ISO 9001 COMPANY	JINDAL ALUMINIUM LTD. <i>BANGALORE-560073 (INDIA)</i>		NAME	DATE
		DRAWN	RAGHAVENDRA	21-08-2004
1. ALL DIMENSIONS ARE IN mm. 2. ROUND OFF ALL SHARP CORNERS WITH 0.40 mm. 3. TOLERANCES WILL BE AS PER IS:2673-2002 UNLESS OTHERWISE SPECIFIED		CHECKED		
		APPROVED		
PARTY'S NAME NUCLEAR POWER CORPORATION OF INDIA LTD, KALPAKKAM		SCALE		1:1
		AREA mm ²		741.416
PARTY'S DRAWING No. AS PER SPECIFICATION		PERIMETER mm.		197.92
		WEIGHT kg/m		2.002
ALLOY & TEMPER E91E WP		DRAWING No.	SECTION No.	
		P-5042	-	
DESCRIPTION ROUND TUBE		S1289	S1289	
		13404	13404	