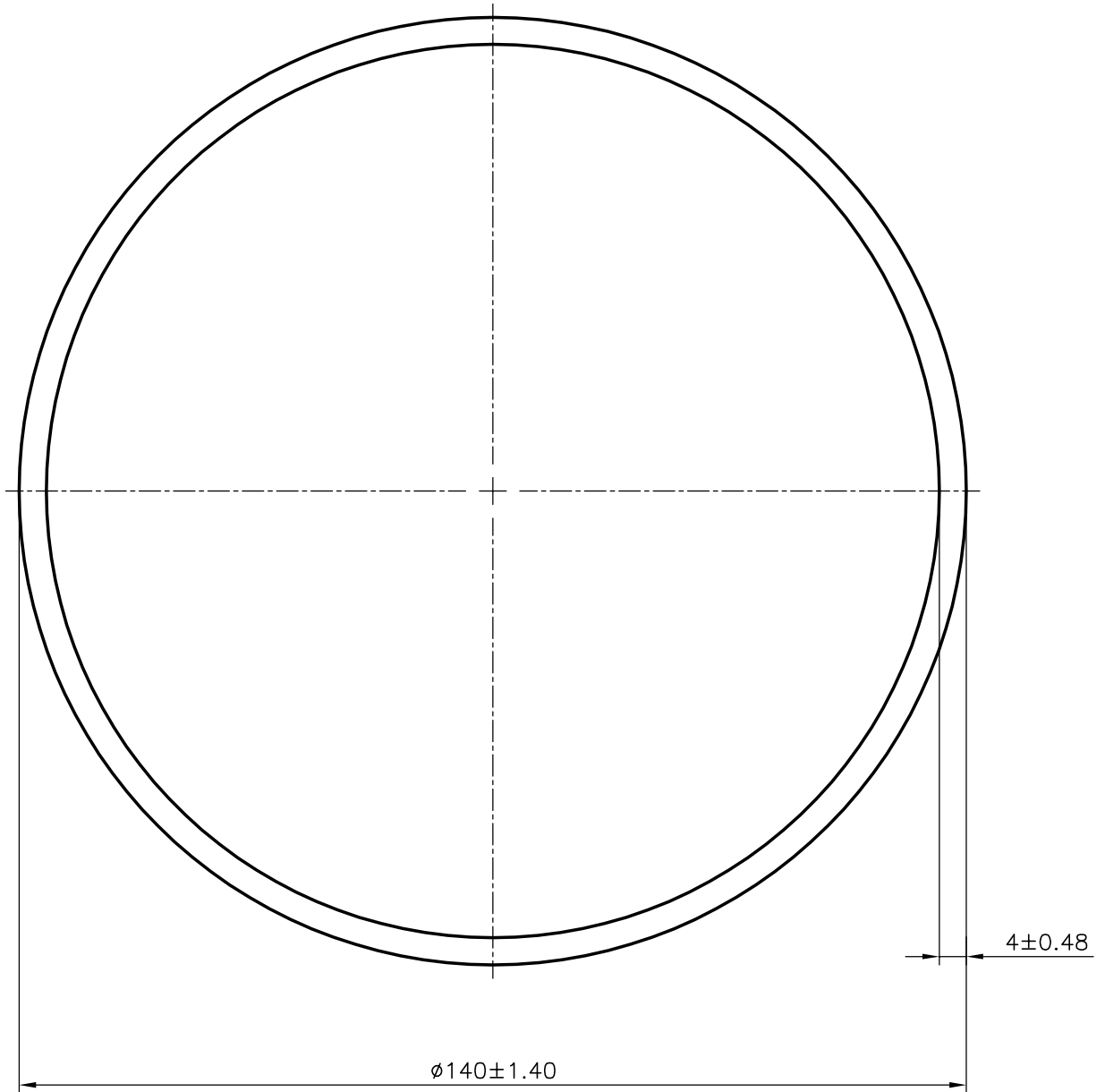



P-5049
S1294
13405



 SYMBOL OF QUALITY AN ISO 9001 COMPANY	<b>JINDAL ALUMINIUM LTD.</b> BANGALORE-560073 (INDIA)	NAME	DATE
		DRAWN	RAGHAVENDRA 25-08-2004
1. ALL DIMENSIONS ARE IN mm. 2. ROUND OFF ALL SHARP CORNERS WITH 0.40 mm. 3. TOLERANCES WILL BE AS PER IS:2673-2002 UNLESS OTHERWISE SPECIFIED		CHECKED	
		APPROVED	
PARTY'S NAME KADEVI ENGINEERING COMPANY (P) LTD HYDERABAD		SCALE	1:1
		AREA mm <sup>2</sup>	1709.026
PARTY'S DRAWING No. AS PER SPECIFICATION		PERIMETER mm.	439.823
		WEIGHT kg/m	4.614
ALLOY & TEMPER 6351 T6		DRAWING No.	SECTION No.
		P-5049	-
DESCRIPTION ROUND TUBE		S1294	S1294
		13405	13405