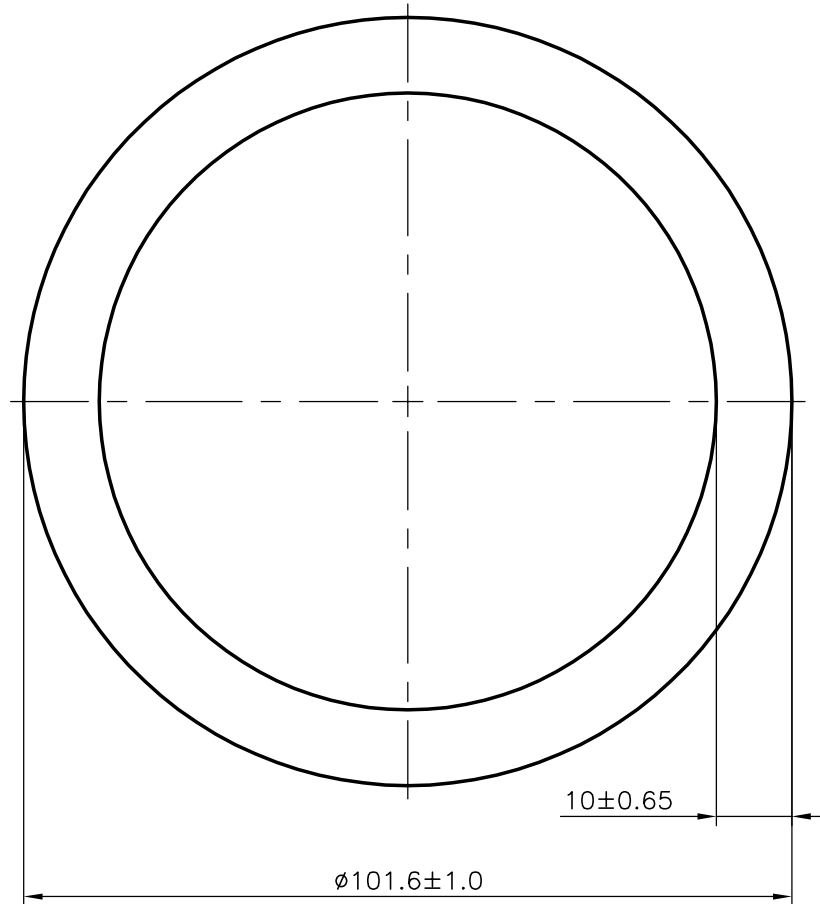



P-5060

S1305

13407



 SYMBOL OF QUALITY AN ISO 9001 COMPANY	<b>JINDAL ALUMINIUM LTD.</b> BANGALORE-560073 (INDIA)	NAME		DATE
		DRAWN	malingappa	01-09-2004
1. ALL DIMENSIONS ARE IN mm. 2. ROUND OFF ALL SHARP CORNERS WITH 0.40 mm. 3. TOLERANCES WILL BE AS PER IS:2673-2002 UNLESS OTHERWISE SPECIFIED		CHECKED		
		APPROVED		
PARTY'S NAME ALSTOM INSTRUMENT TRANSFORMERS PVT. LTD., BANGALORE		SCALE		1:1
		AREA mm <sup>2</sup>		2877.7
PARTY'S DRAWING No. AS PER SPECIFICATION		PERIMETER mm.		319.19
		WEIGHT kg/m		7.770
ALLOY & TEMPER 64430 WP		DRAWING No.	SECTION No.	
		P-5060	-	
DESCRIPTION ROUND TUBE		S1305	S1305	
		13407	13407	