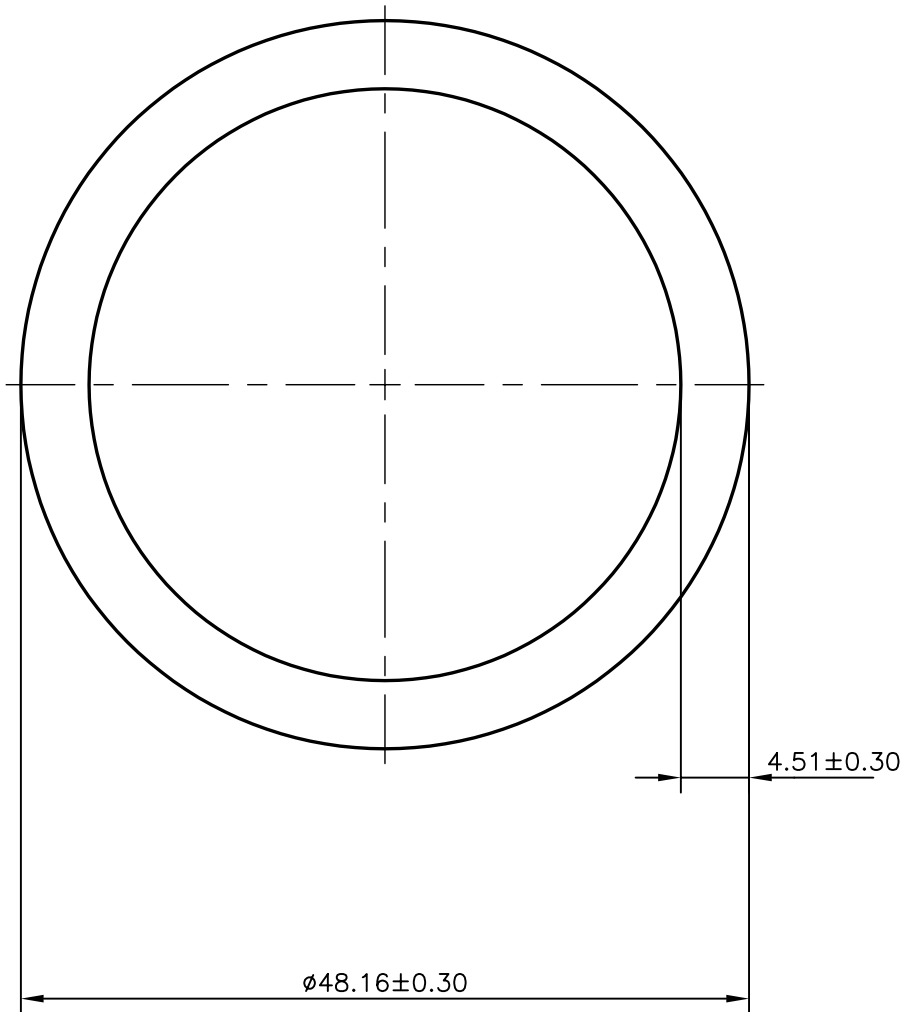
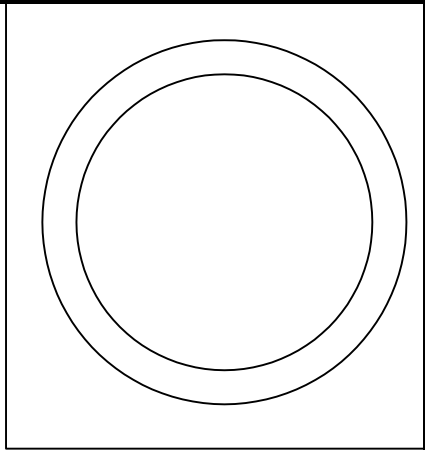


P-6668-1
S1838
13408



JINDAL ALUMINIUM LTD.
BANGALORE-560073 (INDIA)

	NAME	DATE
DRAWN	J.P.KAUSHIK	14-09-2006
CHECKED		
APPROVED		

1. ALL DIMENSIONS ARE IN mm.
2. ROUND OFF ALL SHARP CORNERS WITH 0.40 mm.
3. TOLERANCES WILL BE AS PER IS:2673-2002 UNLESS OTHERWISE SPECIFIED

SCALE	2:1
AREA mm ²	618.459
PERIMETER mm.	151.299
WEIGHT kg/m	1.670

PARTY'S NAME	VISOKA ENGINEERING PVT. LTD., CHENNAI
PARTY'S DRAWING No.	AS PER SPECIFICATION
ALLOY & TEMPER	1050 F
DESCRIPTION	ROUND TUBE

DRAWING No.	SECTION No.
P-6668-1	-
S1838	S1838
13408	13408