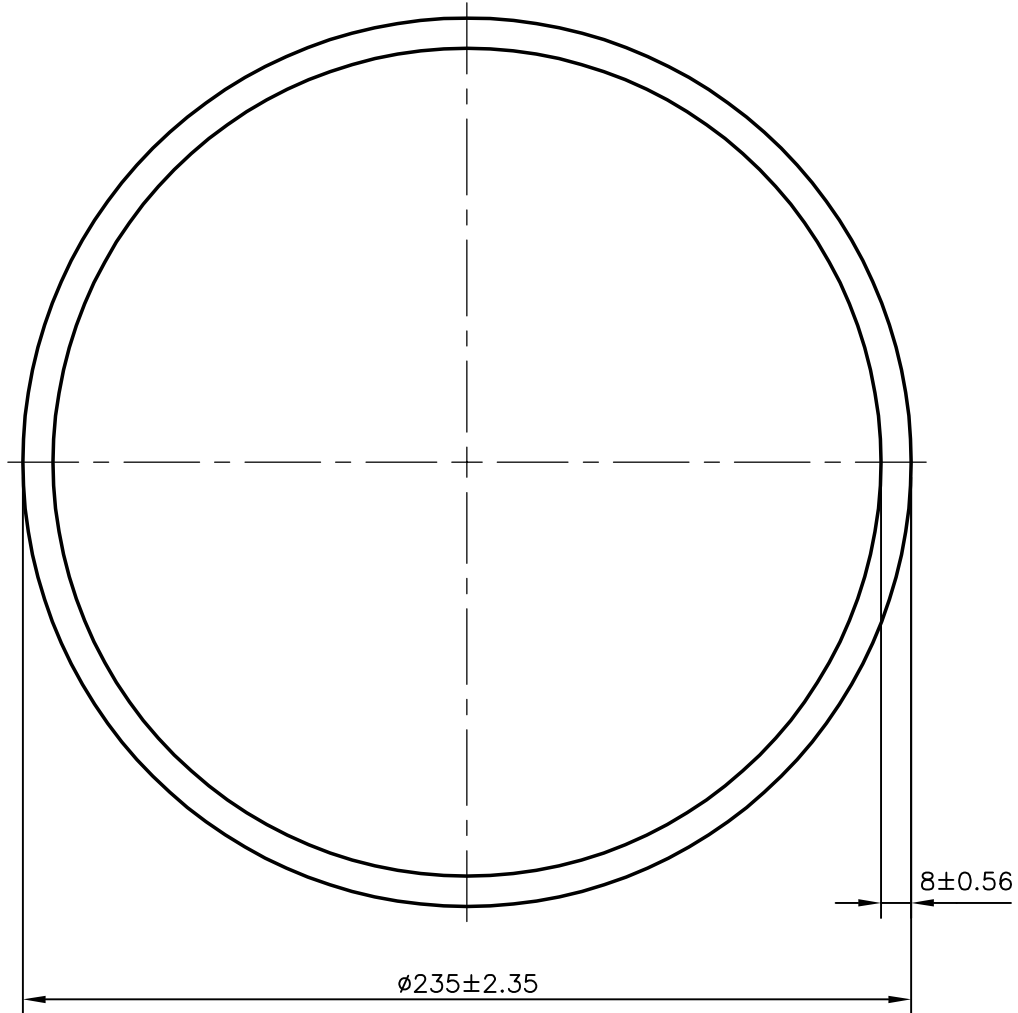



P-6298
S1740
13410



 SYMBOL OF QUALITY AN ISO 9001 COMPANY	<b>JINDAL ALUMINIUM LTD.</b> BANGALORE-560073 (INDIA)	NAME		DATE
		DRAWN	J.P.KAUSHIK	31-03-2006
1. ALL DIMENSIONS ARE IN mm. 2. ROUND OFF ALL SHARP CORNERS WITH 0.40 mm. 3. TOLERANCES WILL BE AS PER IS:2673-2002 UNLESS OTHERWISE SPECIFIED		CHECKED		
		APPROVED		
PARTY'S NAME REEP INDUSTRIES PVT. LTD., KANCHIPURAM		SCALE		1:2
		AREA mm <sup>2</sup>		5705.132
PARTY'S DRAWING No. AS PER SPECIFICATION		PERIMETER mm.		738.274
		WEIGHT kg/m		15.404
ALLOY & TEMPER 63401 WP		DRAWING No.	SECTION No.	
		P-6298	-	
DESCRIPTION ROUND TUBE		S1740	S1740	
		13410	13410	