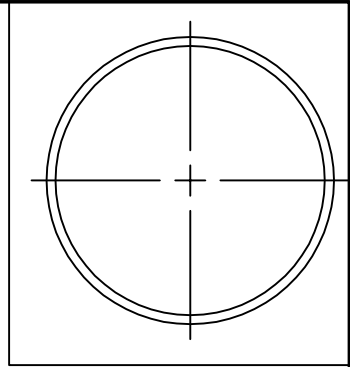
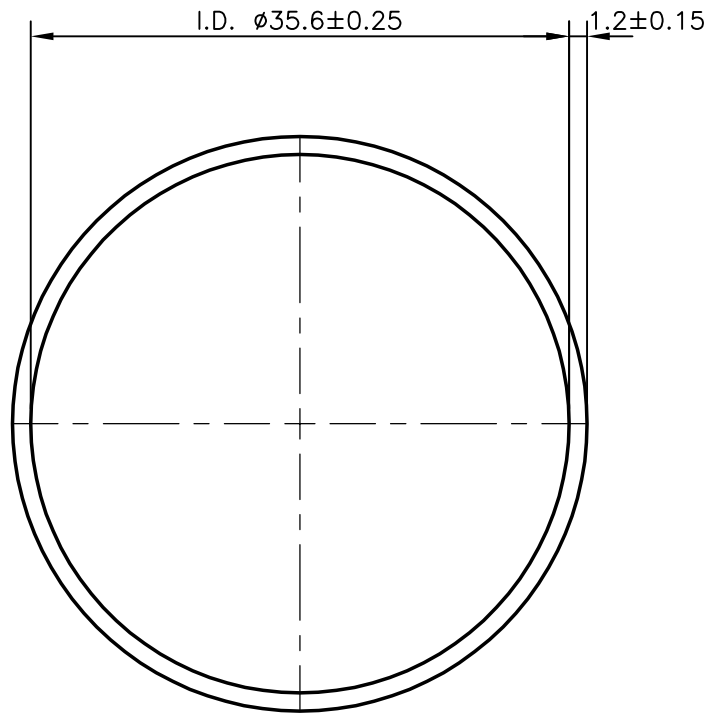


P-6867-1

13411



TO CHECK WITH PARTY PLASTIC COMPONENT



SYMBOL OF QUALITY
AN ISO 9002 COMPANY

JINDAL ALUMINIUM LTD.
BANGALORE-560073 (INDIA)

	NAME	DATE
DRAWN	J.P.KAUSHIK	15-12-2006
CHECKED		
APPROVED		

1. ALL DIMENSIONS ARE IN mm.
2. ROUND OFF ALL SHARP CORNERS WITH 0.40 mm.
3. TOLERANCES WILL BE AS PER EN12020-2:2001 UNLESS OTHERWISE SPECIFIED

SCALE	2:1
AREA mm ²	138.878
PERIMETER mm.	119.381
WEIGHT kg/m	0.375

PARTY'S NAME	TRIDENT ALUMINIUM SERVICES LTD.,U.K
PARTY'S DRAWING No.	AS PER DRAWING
ALLOY & TEMPER	6063 T6
DESCRIPTION	ROUND TUBE

DRAWING No.	SECTION No.
P-6867-1	-
13411	13411