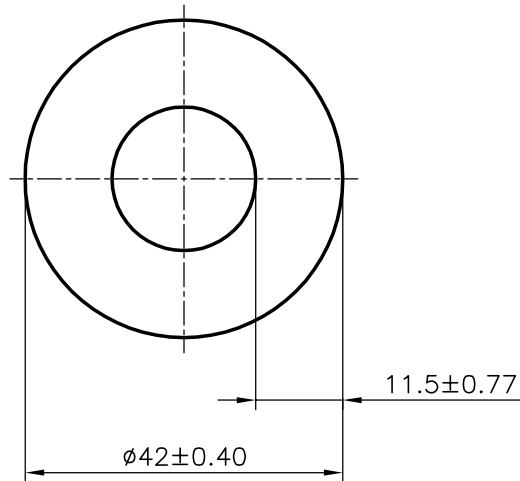



P-5103

S1345

13412



 SYMBOL OF QUALITY AN ISO 9001 COMPANY	<b>JINDAL ALUMINIUM LTD.</b> <i>BANGALORE-560073 (INDIA)</i>	NAME		DATE
		DRAWN	RAGHAVENDRA	15-10-2004
1. ALL DIMENSIONS ARE IN mm. 2. ROUND OFF ALL SHARP CORNERS WITH 0.40 mm. 3. TOLERANCES WILL BE AS PER IS:2673-2002 UNLESS OTHERWISE SPECIFIED		CHECKED		
		APPROVED		
PARTY'S NAME METACRAFT, BANGALORE		SCALE		1:1
		AREA mm <sup>2</sup>		1101.914
PARTY'S DRAWING No. AS PER SPECIFICATION		PERIMETER mm.		131.947
		WEIGHT kg/m		2.975
ALLOY & TEMPER HE30 WP		DRAWING No.	SECTION No.	
		P-5103	-	
DESCRIPTION ROUND TUBE		S1345	S1345	
		13412	13412	