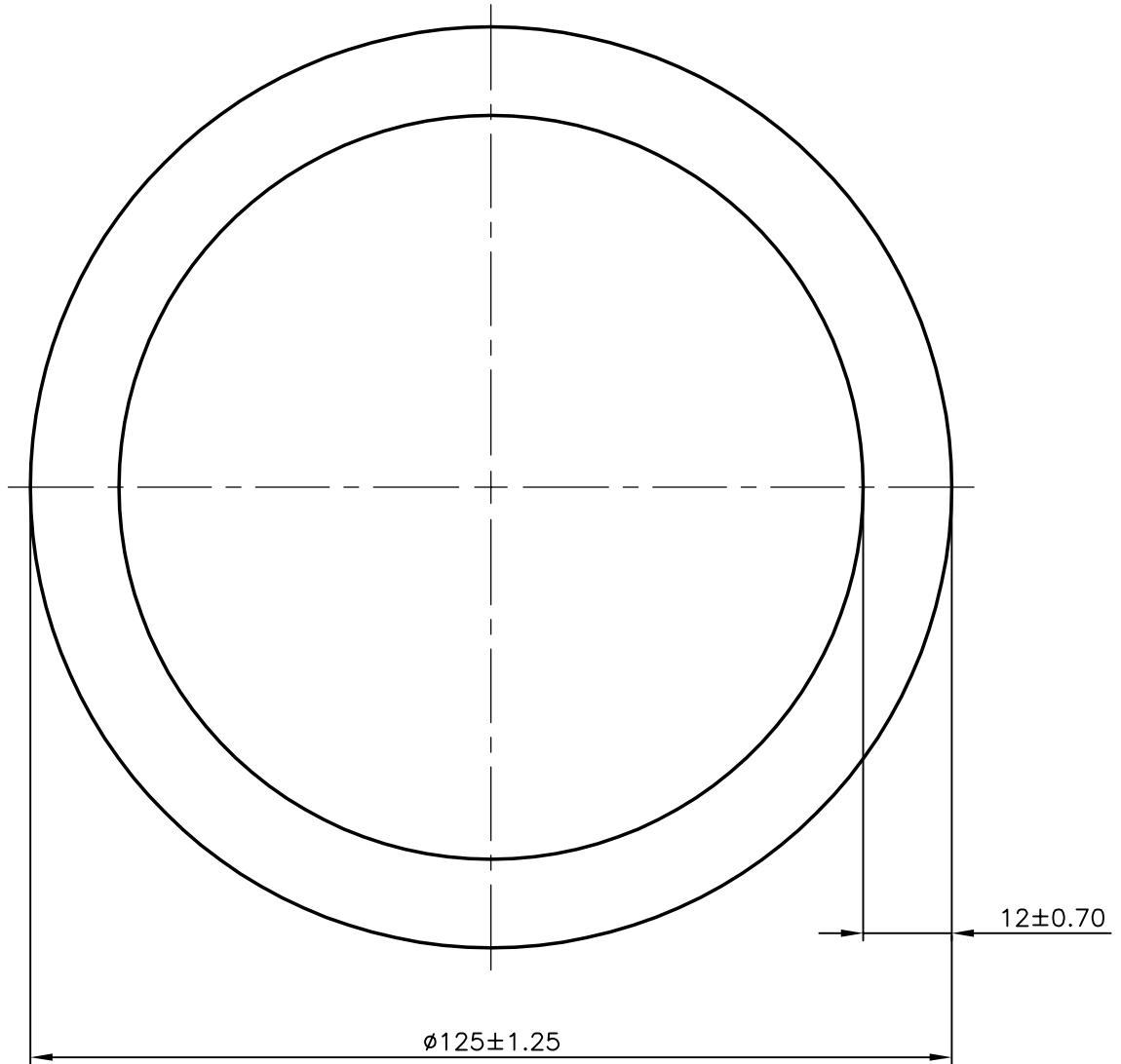


P-5699

S1537

13413



SYMBOL OF QUALITY
AN ISO 9001 COMPANY

JINDAL ALUMINIUM LTD.
BANGALORE-560073 (INDIA)

	NAME	DATE
DRAWN	MALINGAPPA	19-07-2005
CHECKED		
APPROVED		
SCALE		1:1
AREA mm ²		4260
PERIMETER mm.		392.699
WEIGHT kg/m		11.502
DRAWING No.	SECTION No.	
P-5699	-	
S1537	S1537	
13413	13413	

1. ALL DIMENSIONS ARE IN mm.
2. ROUND OFF ALL SHARP CORNERS WITH 0.40 mm.
3. TOLERANCES WILL BE AS PER IS:2673-2002 UNLESS OTHERWISE SPECIFIED

PARTY'S NAME	EXPERT INDUSTRIES PVT. LTD., BANGALORE
PARTY'S DRAWING No.	AS PER SPECIFICATION
ALLOY & TEMPER	6005 T6
DESCRIPTION	ROUND TUBE