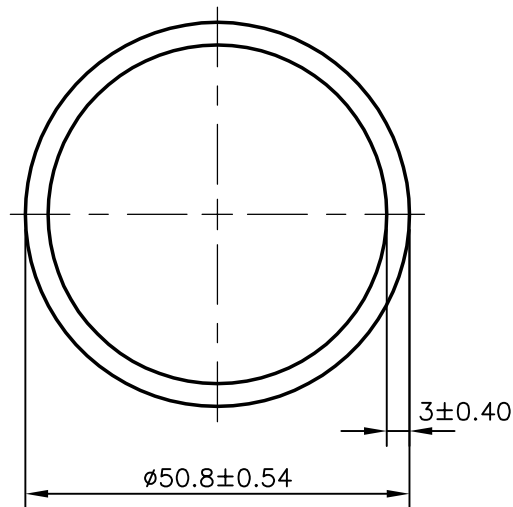



P-5148

S1354

13414



 SYMBOL OF QUALITY AN ISO 9001 COMPANY	JINDAL ALUMINIUM LTD. BANGALORE-560073 (INDIA)		NAME	DATE
		DRAWN	malingappa	13-11-2004
1. ALL DIMENSIONS ARE IN mm. 2. ROUND OFF ALL SHARP CORNERS WITH 0.40 mm. 3. TOLERANCES WILL BE AS PER IS:2673-2002 UNLESS OTHERWISE SPECIFIED		CHECKED		
		APPROVED		
PARTY'S NAME PREMIER IRRIGATION EQUIPMENT LTD., KOLKATA		SCALE		1:1
		AREA mm ²		450.5
PARTY'S DRAWING No. AS PER SPECIFICATION		PERIMETER mm.		159.59
		WEIGHT kg/m		1.216
ALLOY & TEMPER HE9 WP		DRAWING No.	SECTION No.	
		P-5148	-	
DESCRIPTION ROUND TUBE		S1354	S1354	
		13414	13414	