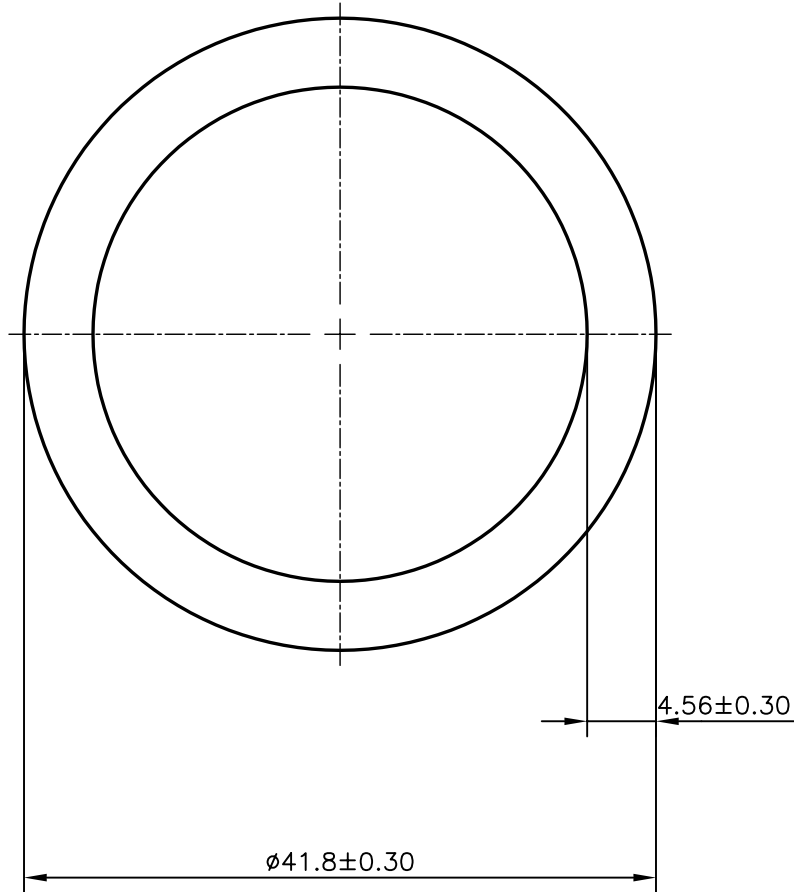
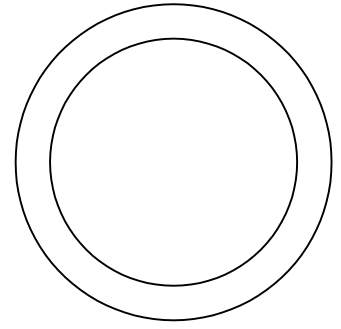


P-6666-1

S1837

13416



SYMBOL OF QUALITY
AN ISO 9001 COMPANY

JINDAL ALUMINIUM LTD.
BANGALORE-560073 (INDIA)

	NAME	DATE
DRAWN	J.P.KAUSHIK	13-09-2006
CHECKED		
APPROVED		
SCALE		2:1
AREA mm ²		533.488
PERIMETER mm.		131.319
WEIGHT kg/m		1.440
DRAWING No.	SECTION No.	
P-6666-1	-	
S1837	S1837	
13416	13416	

1. ALL DIMENSIONS ARE IN mm.
2. ROUND OFF ALL SHARP CORNERS WITH 0.40 mm.
3. TOLERANCES WILL BE AS PER IS:2673-2002 UNLESS OTHERWISE SPECIFIED

PARTY'S NAME	VISOKA ENGINEERING PVT. LTD., CHENNAI
PARTY'S DRAWING No.	AS PER SPECIFICATION
ALLOY & TEMPER	1050 F
DESCRIPTION	ROUND TUBE