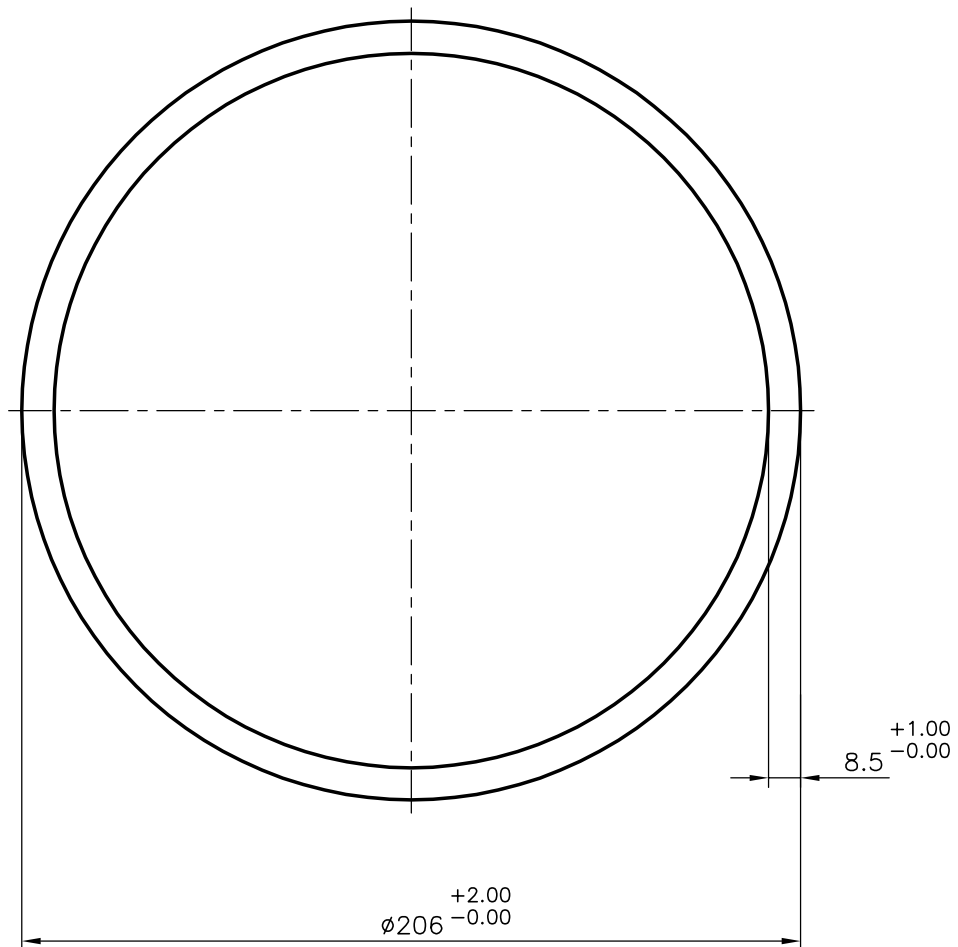



P-5133-1
S1363
13418



 SYMBOL OF QUALITY AN ISO 9001 COMPANY	JINDAL ALUMINIUM LTD. <i>BANGALORE-560073 (INDIA)</i>	DRAWN	NAME	DATE
		CHECKED	RAGHAVENDRA	24-11-2004
1. ALL DIMENSIONS ARE IN mm. 2. ROUND OFF ALL SHARP CORNERS WITH 0.40 mm. 3. TOLERANCES WILL BE AS PER IS:2673-2002 UNLESS OTHERWISE SPECIFIED		APPROVED		
		SCALE		1:1
PARTY'S NAME TEAM WORK, BANGALORE		AREA mm ²		5273.949
		PERIMETER mm.		647.168
PARTY'S DRAWING No. AS PER SPECIFICATION		WEIGHT kg/m		14.24
		DRAWING No.	SECTION No.	
ALLOY & TEMPER E1B M		P-5133-1		-
		S1363		S1363
DESCRIPTION ROUND TUBE		13418		13814