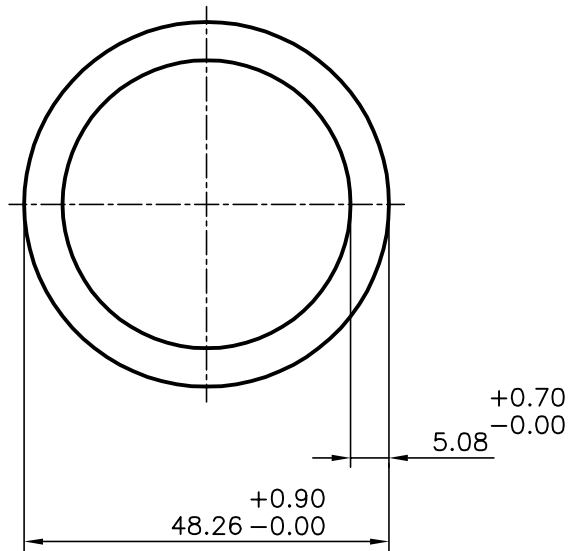



P-5081
S1418
13420



 SYMBOL OF QUALITY AN ISO 9001 COMPANY	JINDAL ALUMINIUM LTD. <i>BANGALORE-560073 (INDIA)</i>		NAME	DATE
		DRAWN	RAGHAVENDRA	29-09-2004
1. ALL DIMENSIONS ARE IN mm. 2. ROUND OFF ALL SHARP CORNERS WITH 0.40 mm. 3. TOLERANCES WILL BE AS PER IS2673-2002 UNLESS OTHERWISE SPECIFIED		CHECKED		
		APPROVED		
PARTY'S NAME ALSTOM LIMITED, NEW DELHI		SCALE		1:1
		AREA mm ²		689.122
PARTY'S DRAWING No. AS PER SPECIFICATION		PERIMETER mm.		151.613
		WEIGHT kg/m		1.861
ALLOY & TEMPER E91E WP		DRAWING No.	SECTION No.	
		P-5081	P-5081	
DESCRIPTION ROUND TUBE		S1418	S1418	
		13420	13420	