

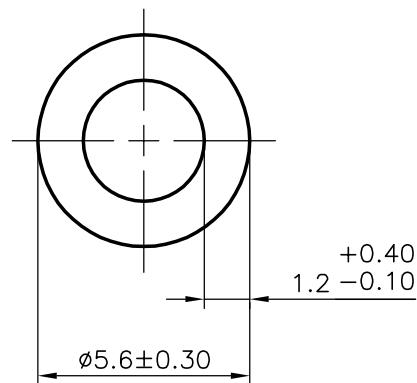
P-5369


S1450

13422



1:1



 SYMBOL OF QUALITY AN ISO 9001 COMPANY	JINDAL ALUMINIUM LTD. BANGALORE-560073 (INDIA)		NAME	DATE
		DRAWN	malingappa	14.03.2005
1. ALL DIMENSIONS ARE IN mm. 2. ROUND OFF ALL SHARP CORNERS WITH 0.40 mm. 3. TOLERANCES WILL BE AS PER IS:2673-2002 UNLESS OTHERWISE SPECIFIED		CHECKED		
		APPROVED		
PARTY'S NAME BASKAR INDUSTRIES, CHENNAI.		SCALE	5:1	
		AREA mm ²	16.588	
PARTY'S DRAWING No. AS PER SPECIFICATION		PERIMETER mm.	17.59	
		WEIGHT kg/m	0.045	
ALLOY & TEMPER HE9 WP		DRAWING No.	SECTION No.	
		P-5369	-	
DESCRIPTION ROUND TURF		S1450	S1450	
		13422	13422	