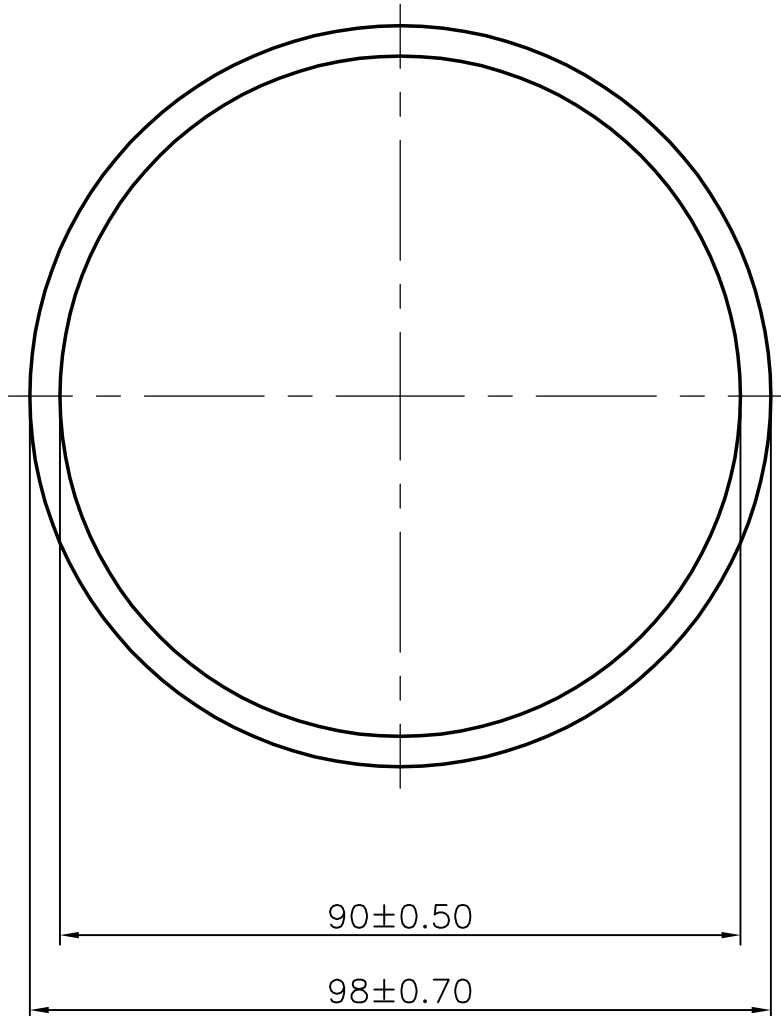


P-5385

S1451

13423



SYMBOL OF QUALITY  
AN ISO 9001 COMPANY

**JINDAL ALUMINIUM LTD.**  
*BANGALORE-560073 (INDIA)*

	NAME	DATE
DRAWN	MALINGAPPA	19.03.2005
CHECKED		
APPROVED		
SCALE		1:1
AREA mm <sup>2</sup>		1181.239
PERIMETER mm.		307.87
WEIGHT kg/m		3.189
DRAWING No.	SECTION No.	
P-5385	-	
S1451	S1451	
13423	13423	

1. ALL DIMENSIONS ARE IN mm.
2. ROUND OFF ALL SHARP CORNERS WITH 0.40 mm.
3. TOLERANCES WILL BE AS PER IS: 2673-2002 UNLESS OTHERWISE SPECIFIED

PARTY'S NAME	METELEC ENGINEERS, BARODA.
PARTY'S DRAWING No.	AS PER SPECIFICATION
ALLOY & TEMPER	6063 T6
DESCRIPTION	ROUND TUBE