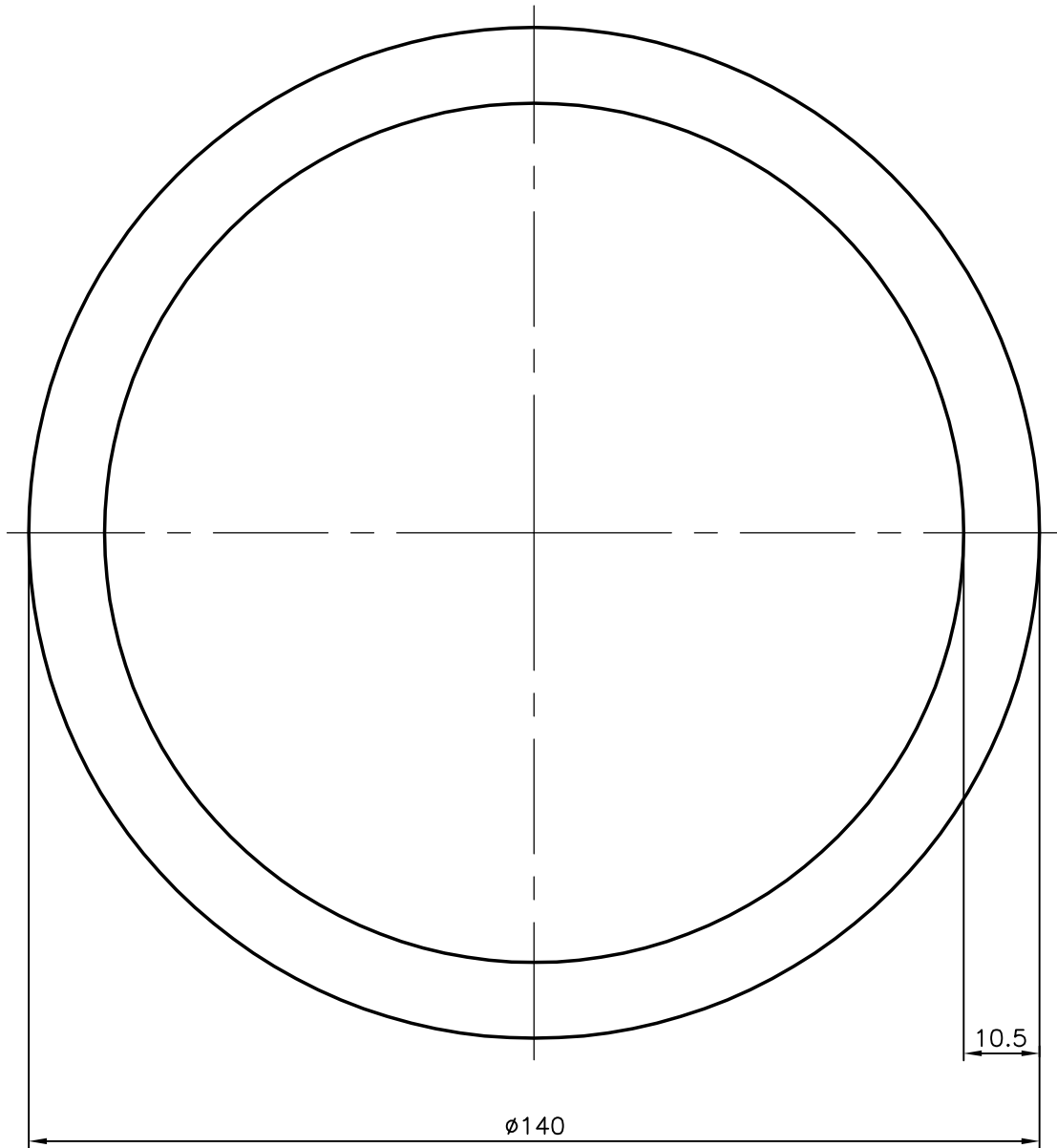



|        |
|--------|
| P-5882 |
| S1615  |
| 13424  |



|  |  |                      |             |            |
|--|--|----------------------|-------------|------------|
| <br>SYMBOL OF QUALITY<br>AN ISO 9001 COMPANY                      | <b>JINDAL ALUMINIUM LTD.</b><br>BANGALORE-560073 (INDIA) |                      | NAME        | DATE       |
|  |  | DRAWN                | MALINGAPPA  | 20-09-2005 |
| 1. ALL DIMENSIONS ARE IN mm.<br>2. ROUND OFF ALL SHARP CORNERS WITH 0.40 mm.<br>3. TOLERANCES WILL BE AS PER IS:2673-2002 UNLESS OTHERWISE SPECIFIED |  | CHECKED              |             |            |
|  |  | APPROVED             |             |            |
| PARTY'S NAME<br>AL-CAN EXPORTS PVT. LTD., THANE  |  | SCALE                |             | 1:1        |
|  |  | AREA mm <sup>2</sup> |             | 4271.781   |
| PARTY'S DRAWING No.<br>AS PER SPECIFICATION  |  | PERIMETER mm.        |             | 439.823    |
|  |  | WEIGHT kg/m          |             | 11.534     |
| ALLOY & TEMPER<br>6061 'O'   |  | DRAWING No.          | SECTION No. |            |
|  |  | P-5882               | -           |            |
| DESCRIPTION<br>ROUND TUBE  |  | S1615                | S1615       |            |
|  |  | 13424                | 13424       |            |
|  |  |                      |             |            |
|  |  |                      |             |            |