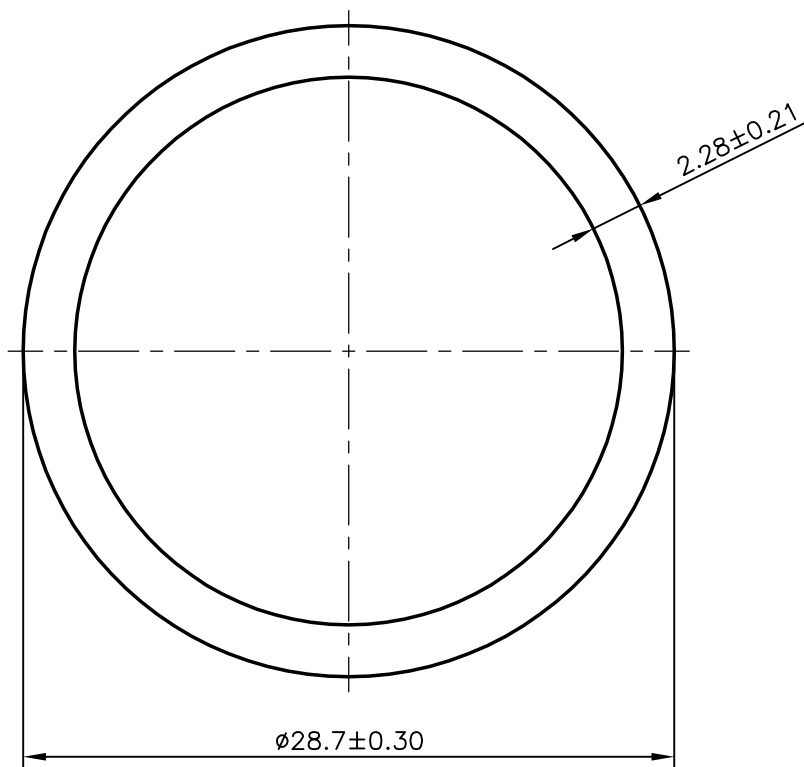


P-7549-1

13429

SCALE 1:1



SYMBOL OF QUALITY
AN ISO 9001 COMPANY

JINDAL ALUMINIUM LTD.
BANGALORE-560073 (INDIA)

	NAME	DATE
DRAWN	PRASANN.H	11-10-2007
CHECKED		
APPROVED		

1. ALL DIMENSIONS ARE IN mm.
2. ROUND OFF ALL SHARP CORNERS WITH 0.40 mm.
3. TOLERANCES WILL BE AS PER IS:2673-2002 UNLESS OTHERWISE SPECIFIED

SCALE	3:1
AREA mm ²	189.242
PERIMETER mm.	90.164
WEIGHT kg/m	0.511

PARTY'S NAME	ELECTRONIC CONTROLS & DISCHARGE SYSTEMS PVT. LTD., KOCHIN
--------------	--

DRAWING No.	SECTION No.
P-7549-1	-
13429	13429

PARTY'S DRAWING No.	23-15024-XX/REV-A
---------------------	-------------------

ALLOY & TEMPER	6063 T6
----------------	---------

DESCRIPTION	ROUND TUBE
-------------	------------