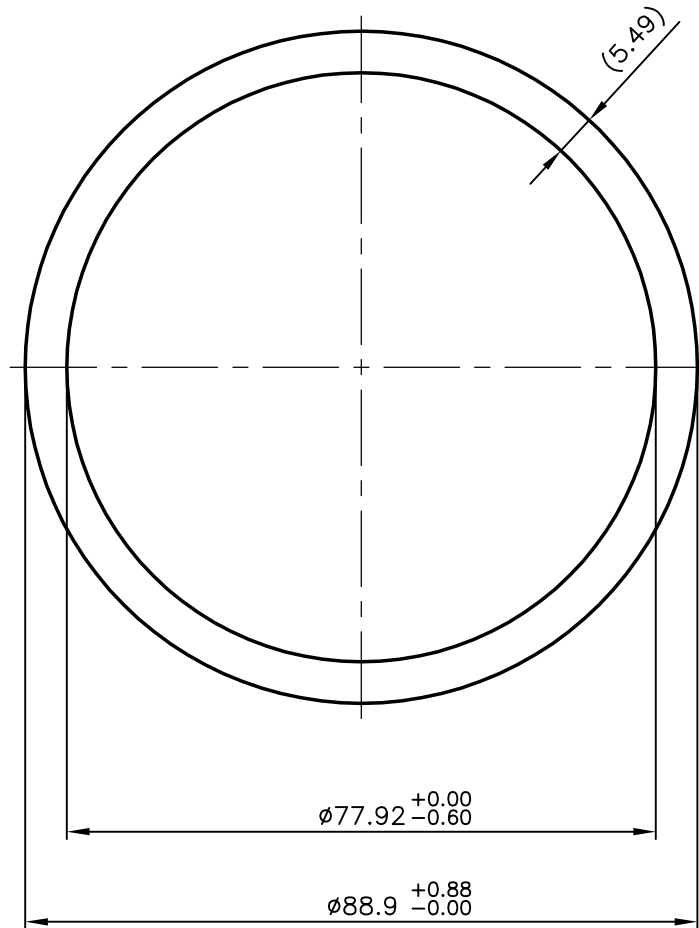



P-7593

13430



 SYMBOL OF QUALITY AN ISO 9001 COMPANY	JINDAL ALUMINIUM LTD. <i>BANGALORE-560073 (INDIA)</i>	NAME		DATE
		DRAWN	PRASANN.H	25-10-2007
1. ALL DIMENSIONS ARE IN mm. 2. ROUND OFF ALL SHARP CORNERS WITH 0.40 mm. 3. TOLERANCES WILL BE AS PER IS:2673-2002 UNLESS OTHERWISE SPECIFIED		CHECKED		
		APPROVED		
PARTY'S NAME ABB LIMITED, VADODARA		SCALE		1:1
		AREA mm ²		1438.601
PARTY'S DRAWING No. AS PER SPECIFICATION		PERIMETER mm.		279.288
		WEIGHT kg/m		3.884
ALLOY & TEMPER E91E WP		DRAWING No.		SECTION No.
		P-7593		-
DESCRIPTION ROUND TUBE (IPS)		13430		13430