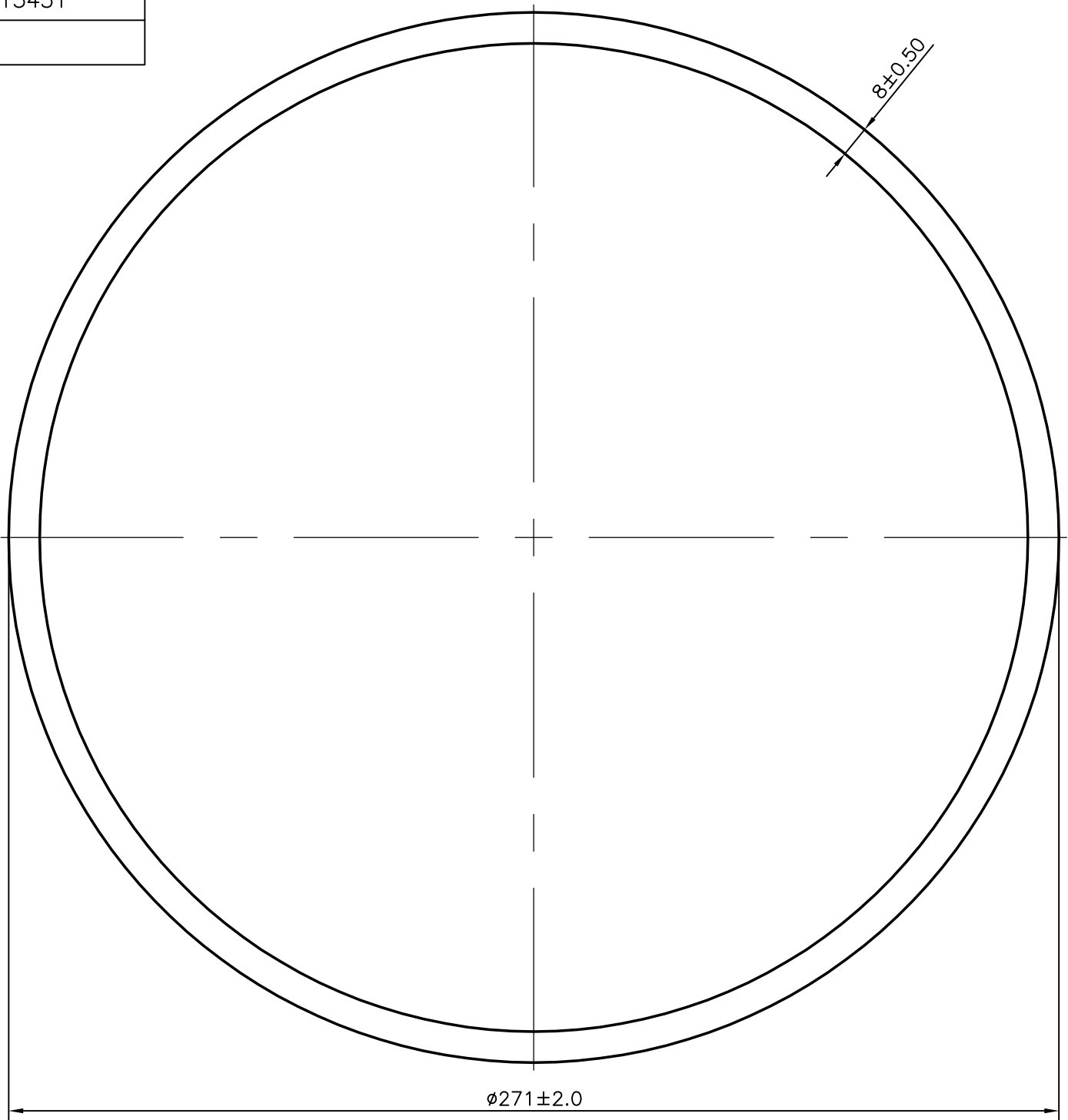


P-7609

13431



- 1. EXTRUDED & DRAWN
- 2. OVALITY WILL BE WITH IN 1.00 mm
- 3. BETTER FINISH REQUIED ON OUTER SURFACE



SYMBOL OF QUALITY
AN ISO 9001 COMPANY

JINDAL ALUMINIUM LTD.
BANGALORE-560073 (INDIA)

	NAME	DATE
DRAWN	PRASANN.H	30-10-2007
CHECKED		
APPROVED		

- 1. ALL DIMENSIONS ARE IN mm.
- 2. ROUND OFF ALL SHARP CORNERS WITH 0.50 mm.
- 3. TOLERANCES WILL BE AS PER IS:2673-2002 UNLESS OTHERWISE SPECIFIED

SCALE	1:1.5
AREA mm ²	6609.911
PERIMETER mm.	851.372
WEIGHT kg/m	17.847

PARTY'S NAME	MODY INDUSTRIES (F.C.) PVT. LTD., THANE
PARTY'S DRAWING No.	925-042-33
ALLOY & TEMPER	HE9 WP
DESCRIPTION	ROUND TUBE

DRAWING No.	SECTION No.
P-7609	-
13431	13431