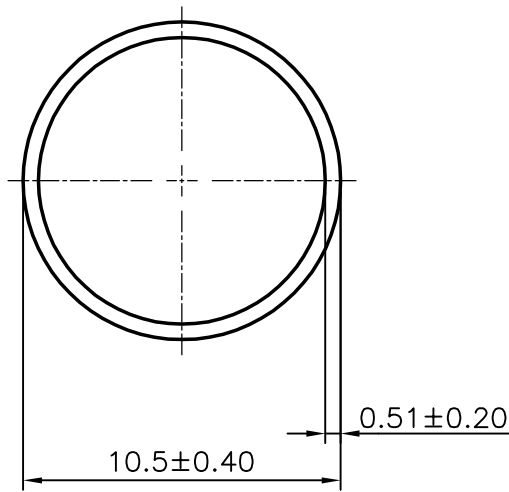



P-7738-1

13436



1:1



 SYMBOL OF QUALITY AN ISO 9001 COMPANY	JINDAL ALUMINIUM LTD. BANGALORE-560073 (INDIA)	NAME		DATE
		DRAWN	J.P.KAUSHIK	15-12-2007
1. ALL DIMENSIONS ARE IN mm. 2. ROUND OFF ALL SHARP CORNERS WITH 0.40 mm. 3. TOLERANCES WILL BE AS PER IS:2673-2002 UNLESS OTHERWISE SPECIFIED		CHECKED		
		APPROVED		
PARTY'S NAME ICON HOUSEHOLD PRODUCTS (P) LTD., METTUPALALYAM,PONDICHERY		SCALE		4:1
		AREA mm ²		16.006
PARTY'S DRAWING No. AS PER SPECIFICATION		PERIMETER mm.		32.987
		WEIGHT kg/m		0.043
ALLOY & TEMPER HE9 WP		DRAWING No.	SECTION No.	
		P-7738-1	-	
DESCRIPTION ROUND TUBE		13436	13436	