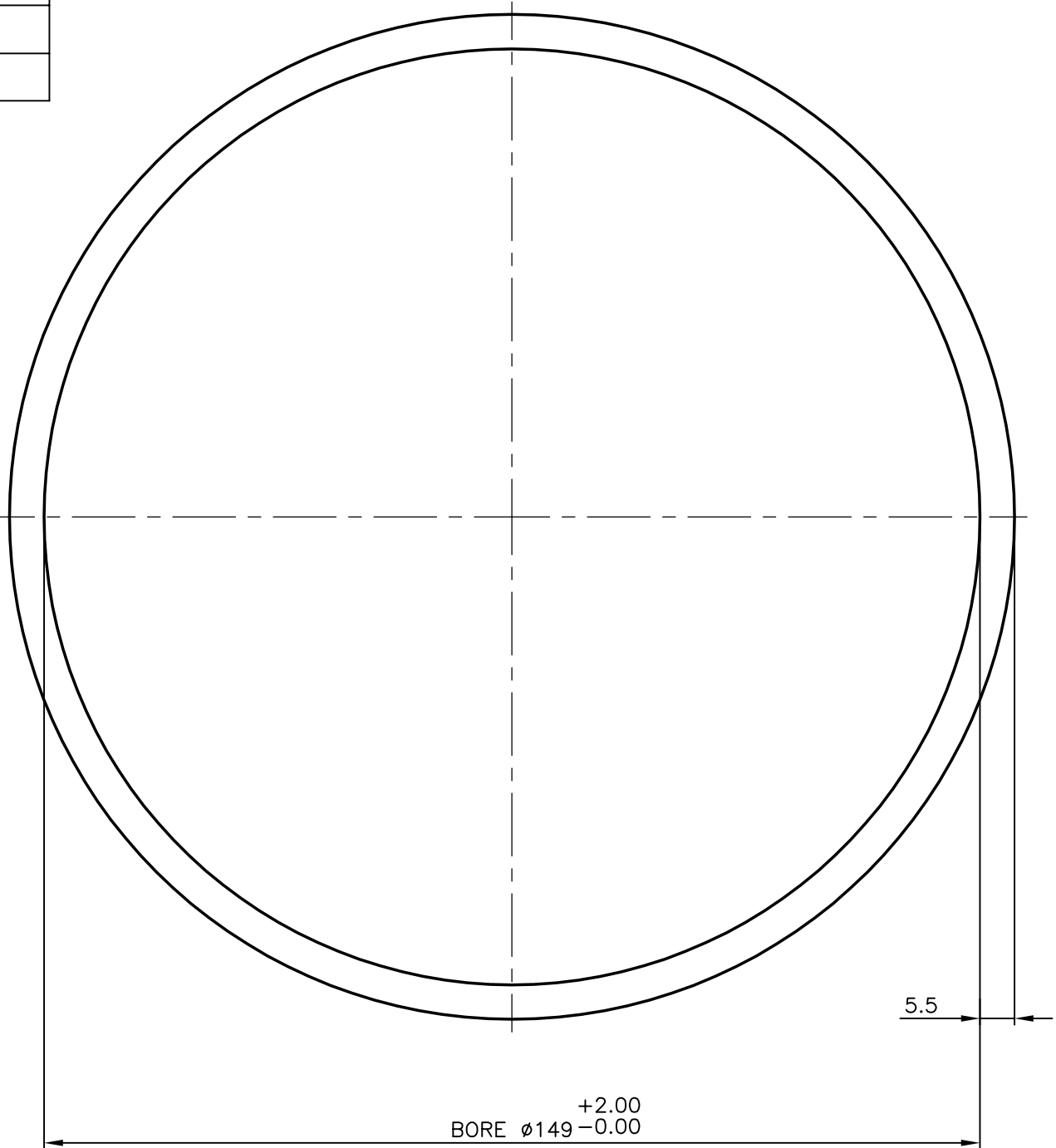


P-5942

S1631

13440



OVALITY TOLERANCE WILL BE 2 mm
 ECCENTRICITY TOLERANCE WILL BE ±0.6 mm i.e. 1.20 mm



SYMBOL OF QUALITY
 AN ISO 9001 COMPANY

JINDAL ALUMINIUM LTD.
 BANGALORE-560073 (INDIA)

	NAME	DATE
DRAWN	MAHALINGAPPA	15-11-2005
CHECKED		
APPROVED		
SCALE		1:1
AREA	mm ²	2669.568
PERIMETER	mm.	502.655
WEIGHT	kg/m	7.208
DRAWING No.	SECTION No.	
P-5942	-	
S1631	S1631	
13440	13440	

1. ALL DIMENSIONS ARE IN mm.
2. ROUND OFF ALL SHARP CORNERS WITH 0.40 mm.
3. TOLERANCES WILL BE AS PER IS:2673-2002 UNLESS OTHERWISE SPECIFIED

PARTY'S NAME	GRIPWEL FASTENERS, NOIDA (U.P.)
PARTY'S DRAWING No.	AS PER SPECIFICATION
ALLOY & TEMPER	6061 T6
DESCRIPTION	ROUND TUBE