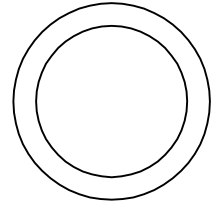


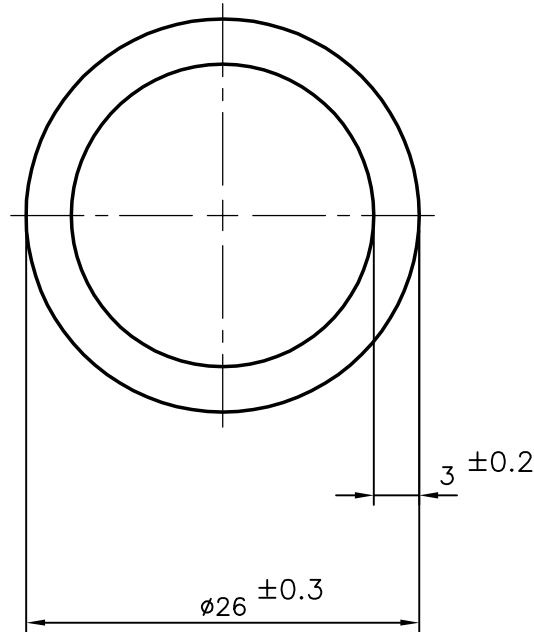
P-5993

S1651

13441



1:1



SYMBOL OF QUALITY  
AN ISO 9001 COMPANY

**JINDAL ALUMINIUM LTD.**  
BANGALORE-560073 (INDIA)

	NAME	DATE
DRAWN	J.P.KAUSHIK	05-12-2005
CHECKED		
APPROVED		
SCALE		2:1
AREA mm <sup>2</sup>		216.77
PERIMETER mm.		81.681
WEIGHT kg/m		0.585
DRAWING No.	SECTION No.	
P-5993		
S1651	S1651	
13441	13441	

1. ALL DIMENSIONS ARE IN mm.
2. ROUND OFF ALL SHARP CORNERS WITH 0.40 mm.
3. TOLERANCES WILL BE AS PER IS:2673-2002 UNLESS OTHERWISE SPECIFIED

PARTY'S NAME	VISOKA ENGINEERING PVT. LTD.,CHENNAI
PARTY'S DRAWING No.	AS PER SPECIFICATION
ALLOY & TEMPER	1050 F
DESCRIPTION	ROUND TUBE