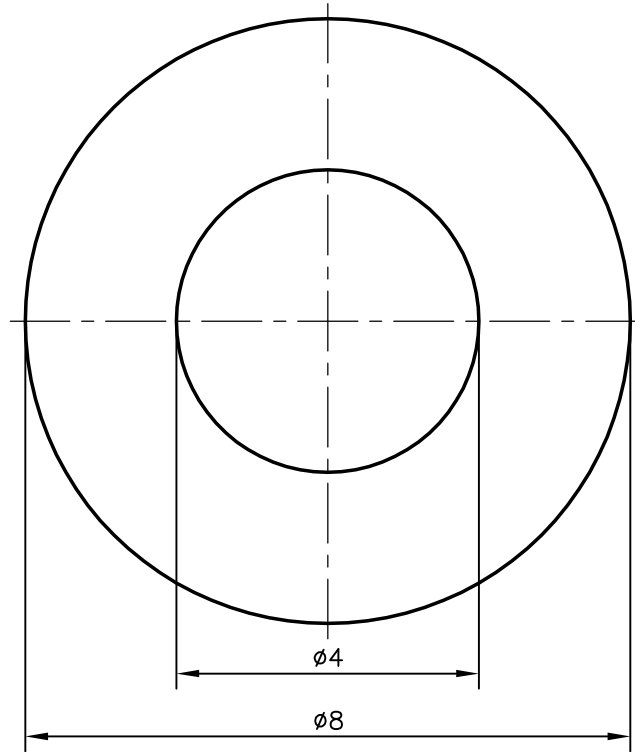


P-7914

13445



SCALE 1:1



SYMBOL OF QUALITY
AN ISO 9001 COMPANY

JINDAL ALUMINIUM LTD.
BANGALORE-560073 (INDIA)

	NAME	DATE
DRAWN	PRASANNA.H	13-02-2008
CHECKED		
APPROVED		

1. ALL DIMENSIONS ARE IN mm.
2. ROUND OFF ALL SHARP CORNERS WITH 0.40 mm.
3. TOLERANCES WILL BE AS PER IS:2673-2002 UNLESS OTHERWISE SPECIFIED

SCALE	10:1
AREA mm ²	37.699
PERIMETER mm.	25.133
WEIGHT kg/m	0.102

PARTY'S NAME	SICAME INDIA CONNECTORS PVT. LTD., CHENNAI
PARTY'S DRAWING No.	PRO-F25-150 C
ALLOY & TEMPER	6060 T6
DESCRIPTION	ROUND TUBE

DRAWING No.	SECTION No.
P-7914	-
13445	13445